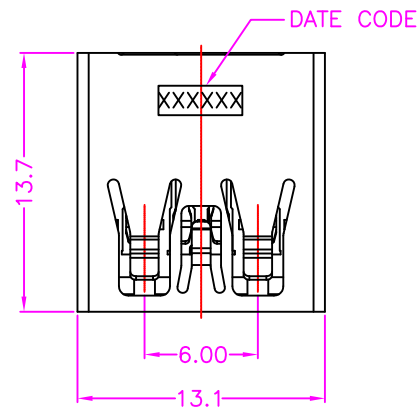


A

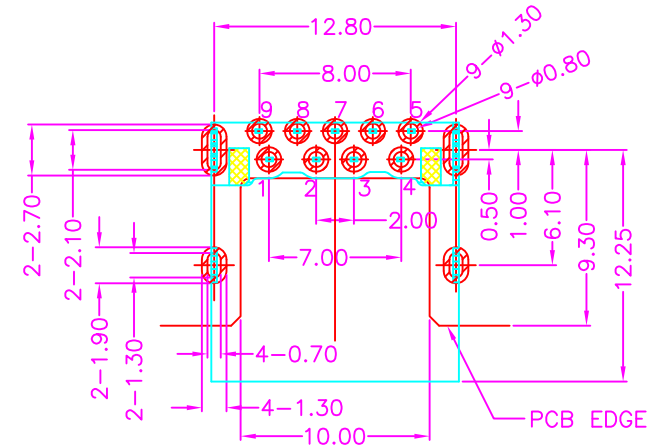


**MATERIALS**

HOUSING: HI-TEMP. PLASTIC (UL 94V-0)  
 SHELL: STAINLESS STEEL, NICKEL PLATING  
 TERMINAL: COPPER ALLOY, GOLD PLATED ON CONTACT AREA  
 TIN PLATING ON SOLDER TAIL

**SPECIFICATION**

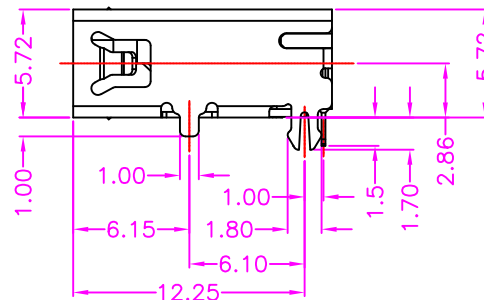
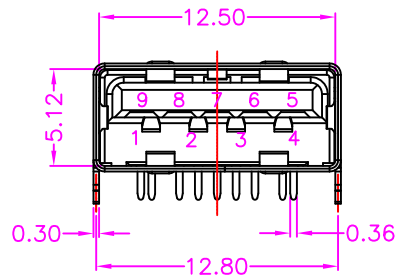
CURRENT RATING: 1.5 AMP MIN  
 DIELECTRIC WITHSTANDING: 500V AC FOR ONE MINUTE  
 CONTACT RESISTANCE: 30m OHMS MAX  
 INSULATION RESISTANCE: 1000M OHMS MIN AT DC 500V  
 OPERATION TEMPERATURE: -40°C~+85°C



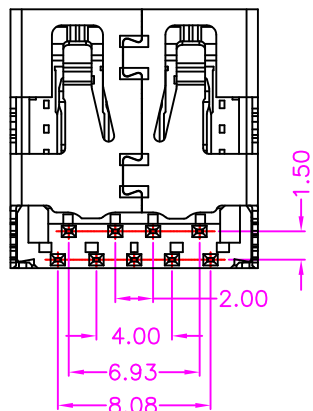
**P.C.B. LAYOUT  
 TOP VIEW ±0.05**

KEEP OUT AREA

B



C

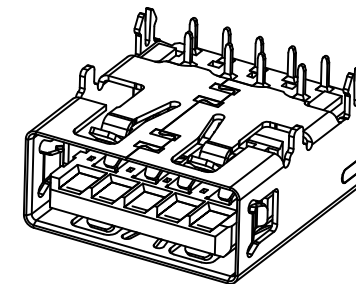


**PART NUMBER:**  
 BUSEC - 0 9 \* T - 1 2 1 \*

SERIES — NO. OF POS. — CONTACT PLATED OPTION — HOUSING COLOR OPTION — TAPE REEL PACKAGE — TIN PLATING ON SOLDER TAIL

CONTACT PLATED OPTION:  
 1: 1u" GOLD  
 3: 3u" GOLD  
 5: 5u" GOLD  
 7: 15u" GOLD  
 9: 30u" GOLD

HOUSING COLOR OPTION:  
 BLANK: BLUE  
 B: BLACK



PIN NUMBER	SIGNAL NAME
1	VBUS
2	D-
3	D+
4	GND
5	StdA_SSRX-
6	StdA_SSRX+
7	GND_DRAIN
8	StdA_SSTX-
9	StdA_SSTX+
Shell	SHIELD

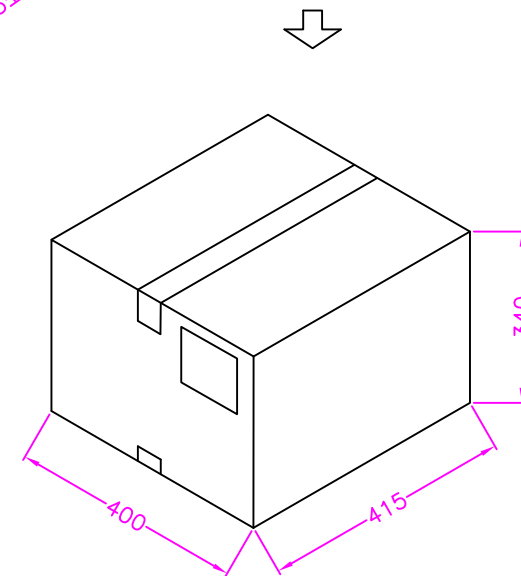
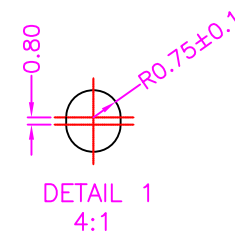
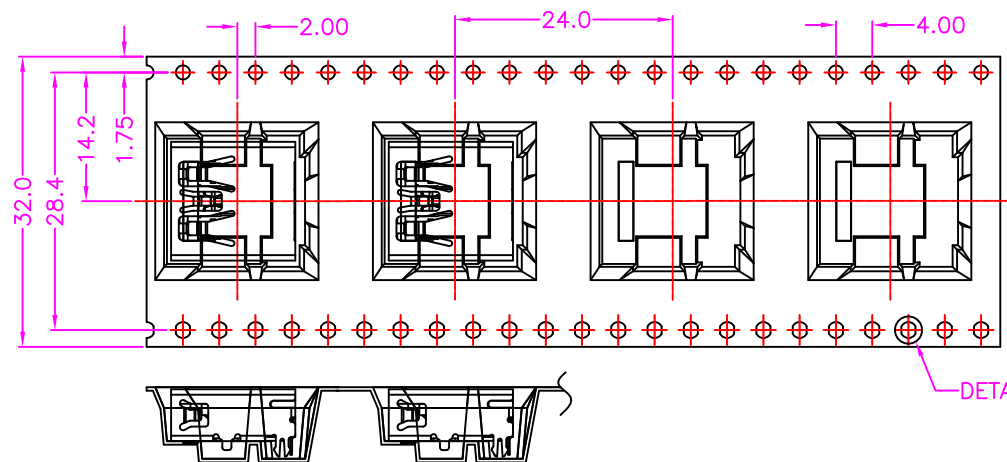
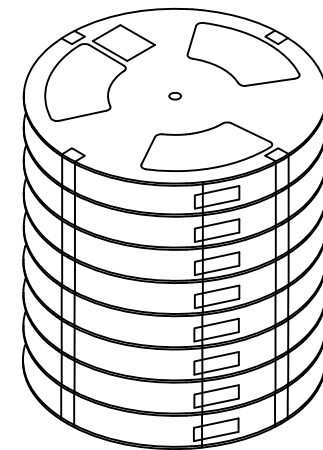
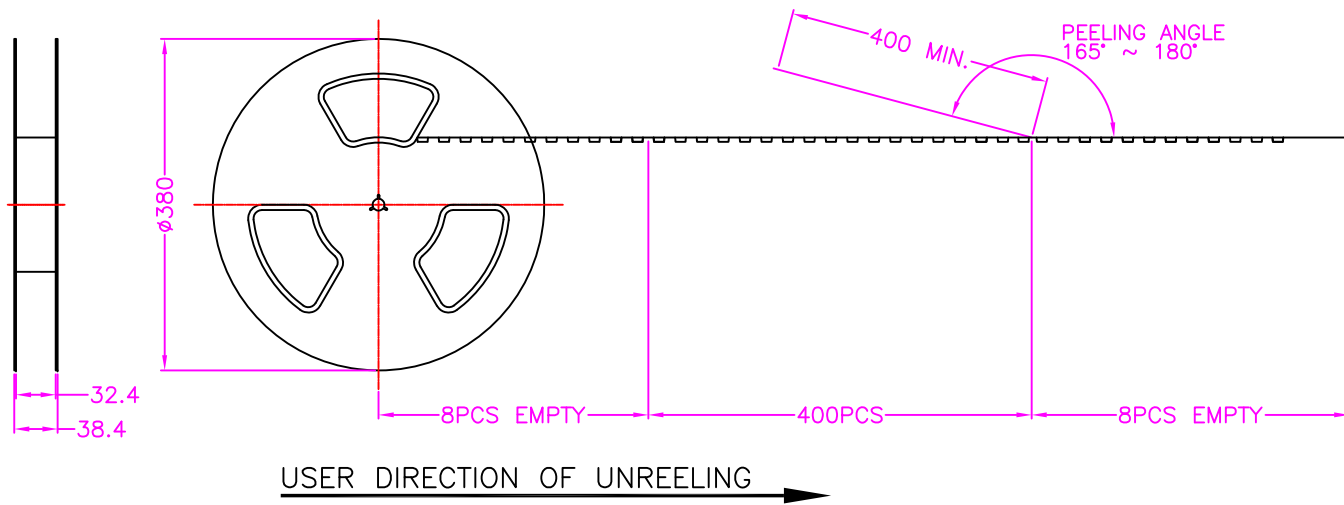
D



**TOLERANCES**

X.±0.40	.XX±0.20
.X±0.30	.XXX±0.10

REV.	A	DRAWN BY	Zhong 2019/8/28	TITLE	USB 3.0 A TYPE, PCB MOUNT, R/A, METAL SHIELD, FEMALE				
		APPROVED BY	Lion 2019/8/28	DRAW NO.	BUSEC-001	UNIT	MM	Sheet	1/2



NOTE: 400PCS/REEL, 3200PCS/ 8 REEL/ CARTON