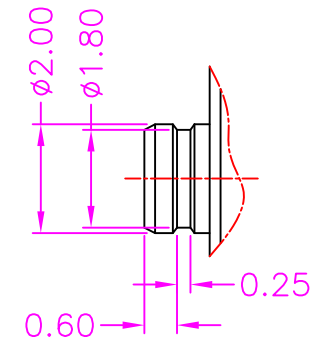


MICRO COAXIAL FEMALE DETAIL



SMA MALE DETAIL

MATERIALS

HOUSING: TEFLON (UL 94V-0)
 SHELL: COPPER ALLOY, GOLD PLATED
 TERMINAL: COPPER ALLOY, GOLD PLATED
 GASKET: SILICON, RED

PART NUMBER:

SRPXSA - 0 * - 4 4 1

SERIES ——— BAG PACKAGE
 CONTACT PLATED OPTION
 1: GOLD FLASH
 3: 3u" GOLD
 5: 5u" GOLD
 7: 15u" GOLD
 9: 30u" GOLD

