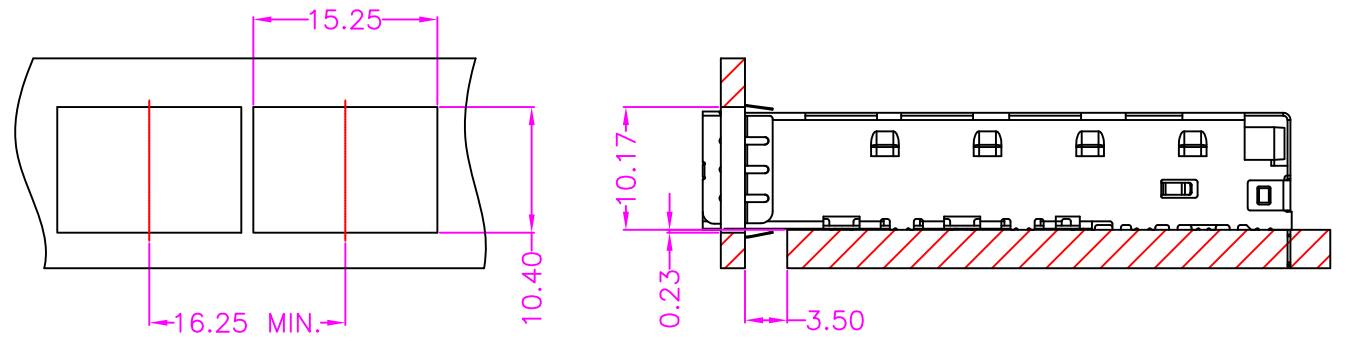
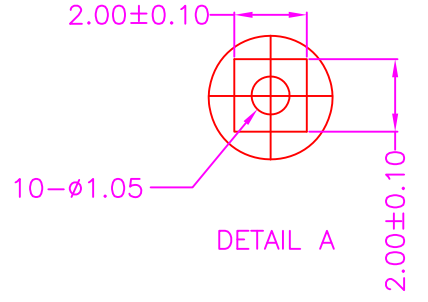
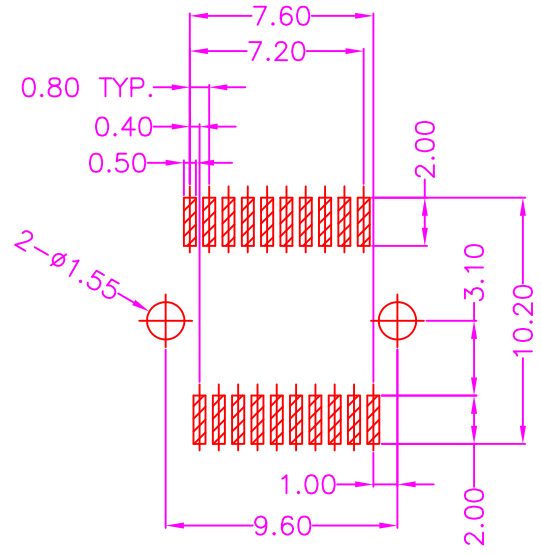
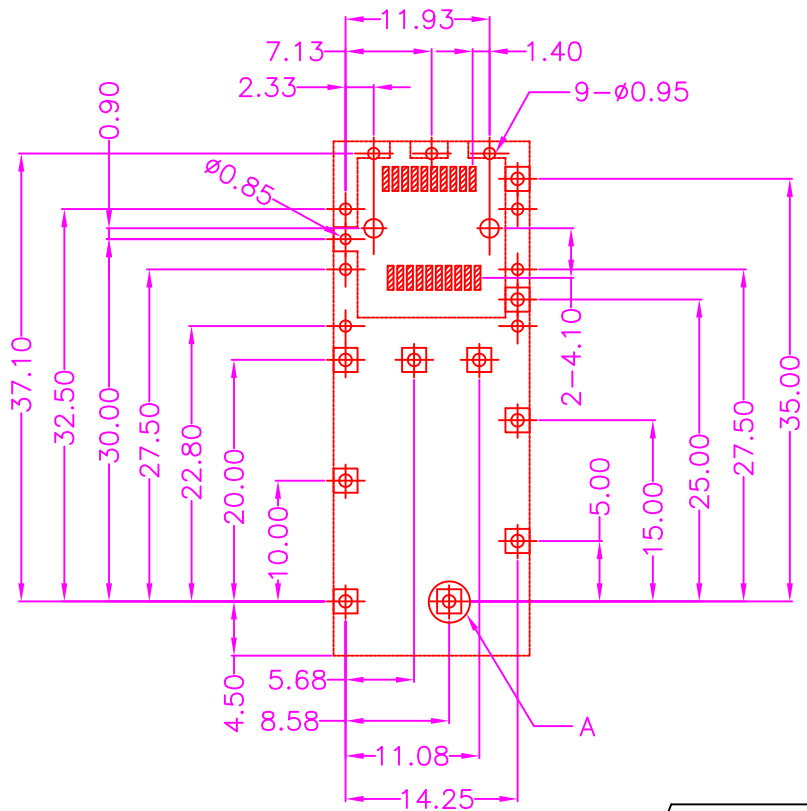


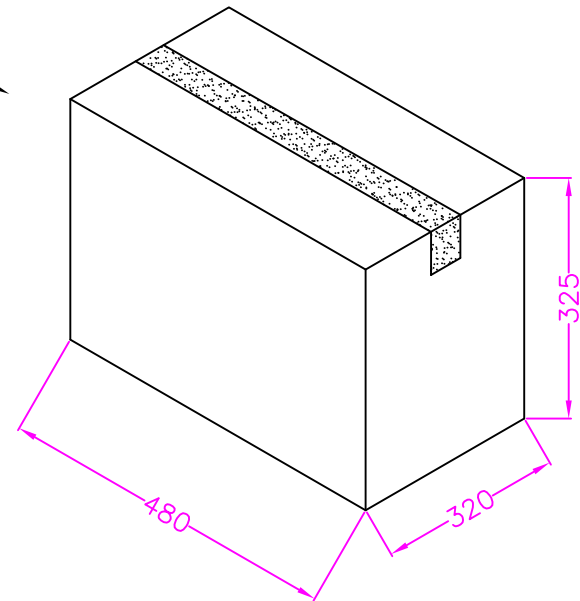
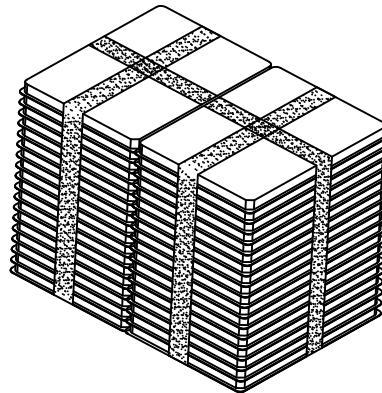
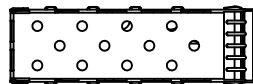
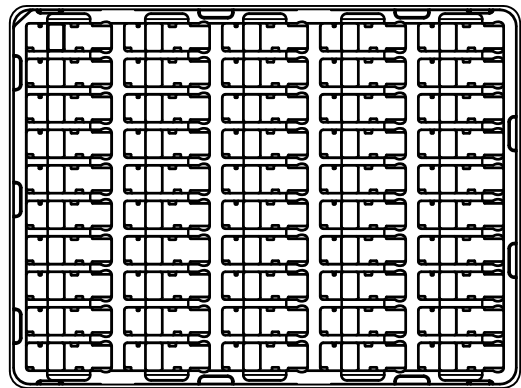
MATERIALS  
 METAL SHIELD: COPPER ALLOY  
 SPRING: COPPER ALLOY

PART NUMBER:  
 F11AK - 0 C - 1 1

SERIES

TRAY PACKAGE





NOTE: 50PCS/ TRAY, 1700PCS/ 34 TRAYS/ CARTON