

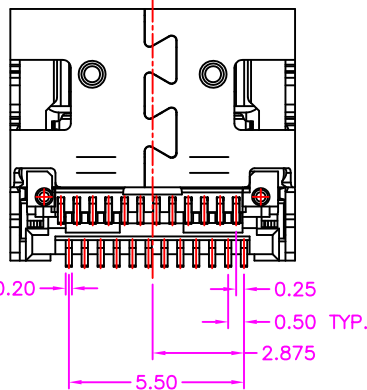
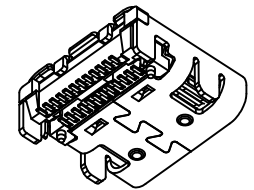
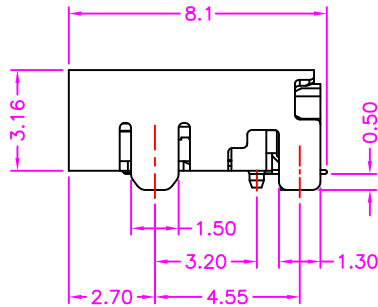
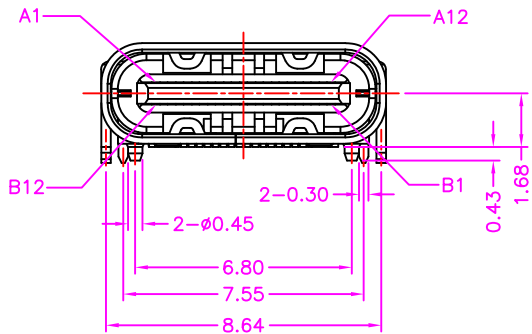
AFTER MATING
SECTION A-A

MATERIALS

HOUSING: HI-TEMP. PLASTIC (UL 94V-0), BLACK
 SHELL: STAINLESS STEEL, NICKEL PLATING
 TERMINAL: COPPER ALLOY, GOLD PLATED

SPECIFICATION

CURRENT RATING:
 1.5A/PIN MAX (A4,A9,B4,B9)
 1.25A/PIN MAX (A1,A12,B1,B12)
 0.25A FOR ALL THE OTHERS CONTACTS
 DIELECTRIC WITHSTANDING: 300V AC FOR ONE MINUTE
 CONTACT RESISTANCE: 40m OHMS MAX
 INSULATION RESISTANCE: 100M OHMS MIN AT DC 300V
 OPERATION TEMPERATURE: -40°C~+85°C

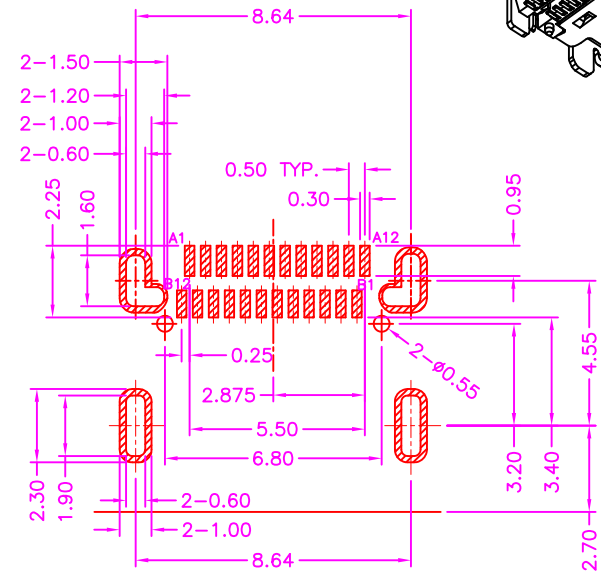


PART NUMBER:
 BUSJB - 2 4 * - 1 * 9

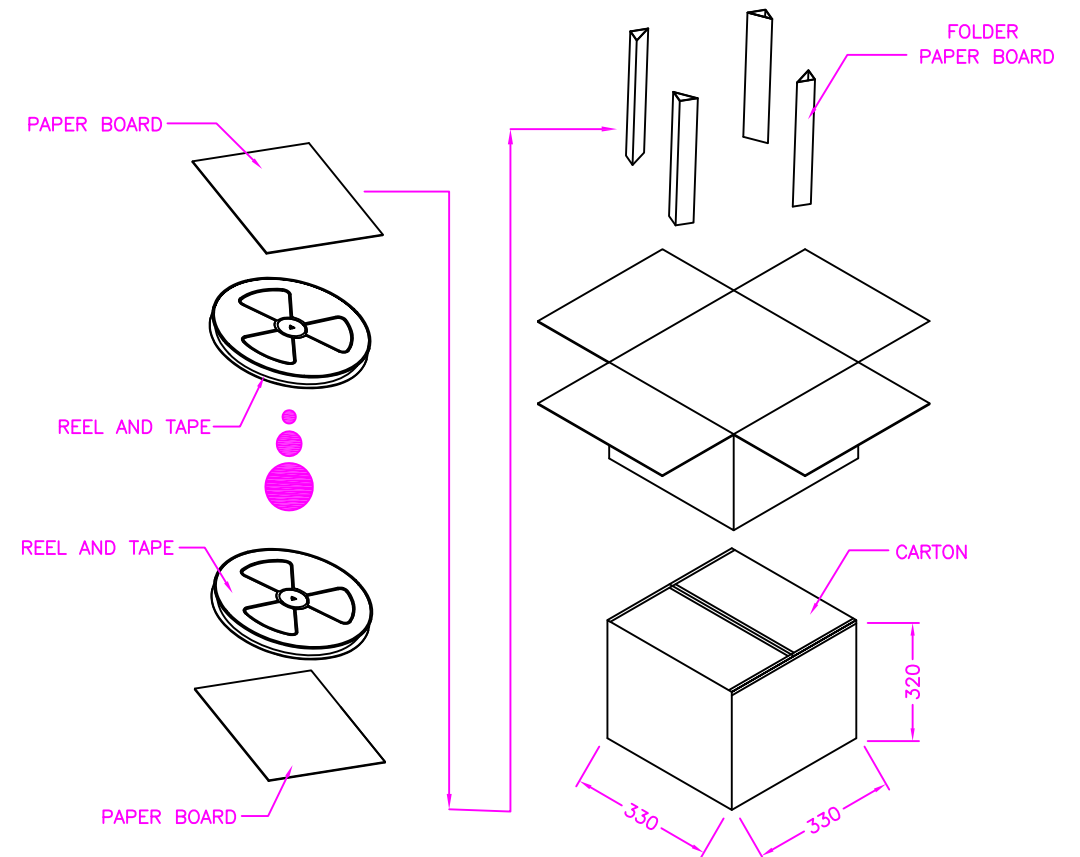
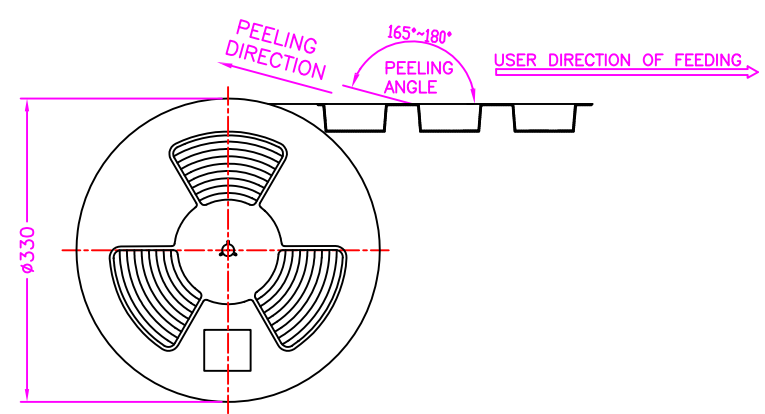
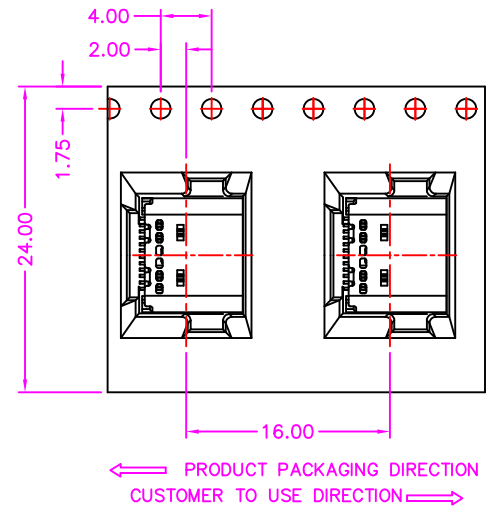
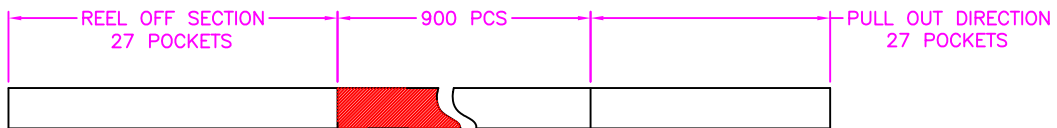
SERIES NO. OF POS. PACKAGE OPTION
 1: TRAY
 2: TAPE REEL

CONTACT PLATED OPTION

- 1: 1u" GOLD
- 3: 3u" GOLD
- 5: 5u" GOLD
- 6: 10u" GOLD
- 7: 15u" GOLD
- 9: 30u" GOLD



P.C.B. LAYOUT
 TOP VIEW±0.05



NOTE: 900PCS/ REEL, 9000PCS/ 10 REEL/CARTON

ZICONN
ELECTRONIC CO., LTD.
WWW.ZICONN.COM 886-3-4687695

TOLERANCES	
X.±0.40	.XX±0.20
.X±0.30	.XXX±0.10

REV.	A	DRAWN BY	Zhong 2019/12/13
		APPROVED BY	Lion 2019/12/13

TITLE	USB C TYPE, PCB MOUNT, SMT, METAL SHIELD, 24PIN, H=3.20mm, FEMALE				
DRAW NO.	BUSJB-009	UNIT	MM	Sheet	2/2