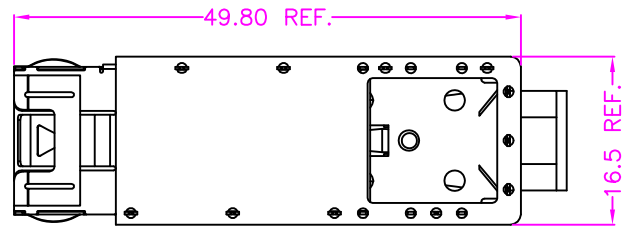
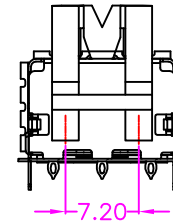
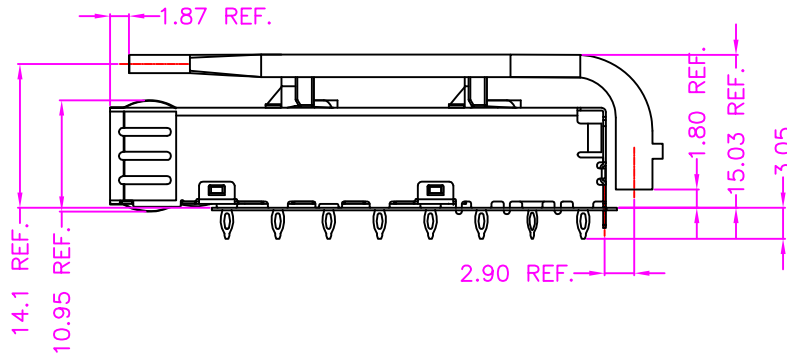
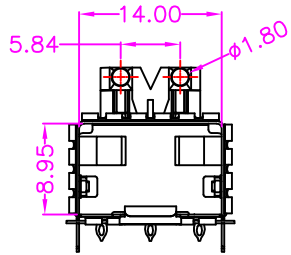


MATERIALS

METAL SHIELD: COPPER ALLOY, NICKEL PLATING
 SPRING: STAINLESS STEEL
 LIGHT PIPE: PC
 BELLY PCB GASKETS: MICROWAVE ABSORBING ELASTOMERS



PART NUMBER:

F11KK - 0 N - 1 1 P

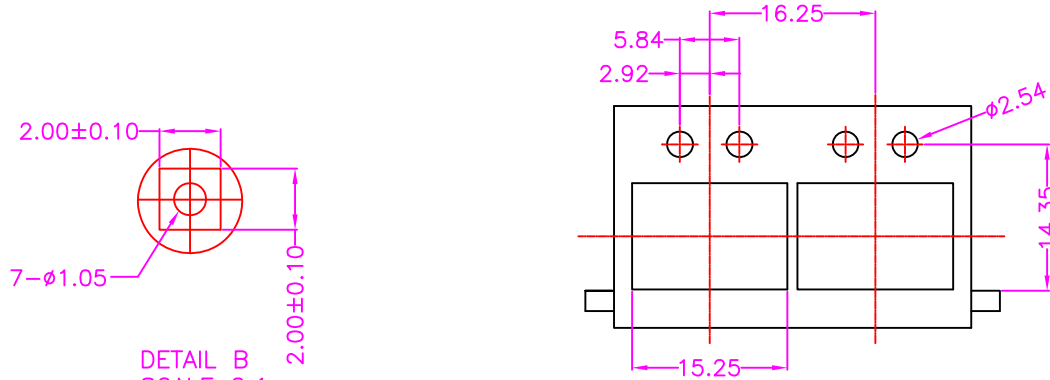
SERIES

TRAY PACKAGE



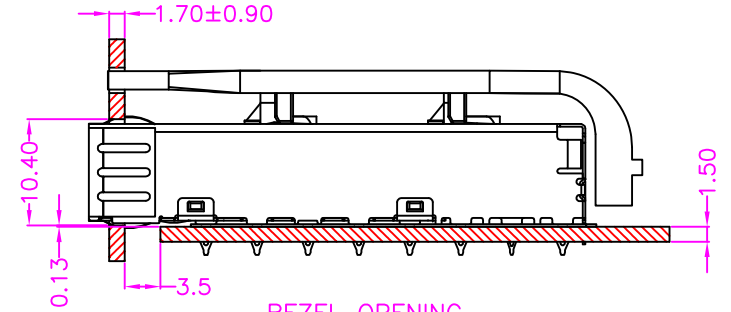
TOLERANCES	
X.±0.40	.XX±0.20
.X±0.30	.XXX±0.10

REV.	A	DRAWN BY	Zhong 2019/8/16	TITLE	SFP28 CAGE, R/A, METAL SHIELD, PRESS FIT TYPE WITH SPRING & LIGHT PIPE				
		APPROVED BY	Lion 2019/8/16	DRAW NO.	F11KK-101	UNIT	MM	Sheet	1/2

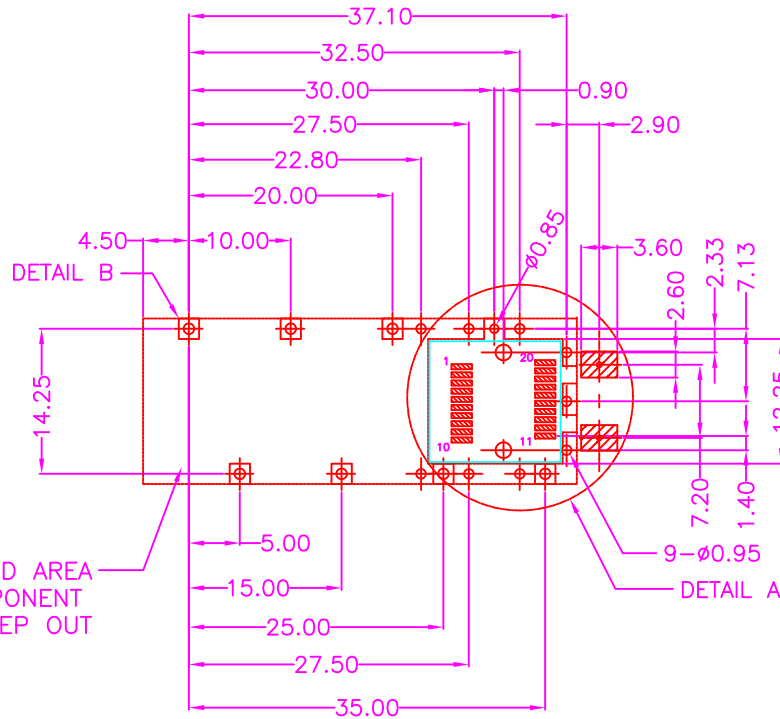


DETAIL B
SCALE 2:1

RECOMMENDED PANEL CUTOUT AND PC BOARD
PANEL POSITION AND THICKNESS 0.8-2.6

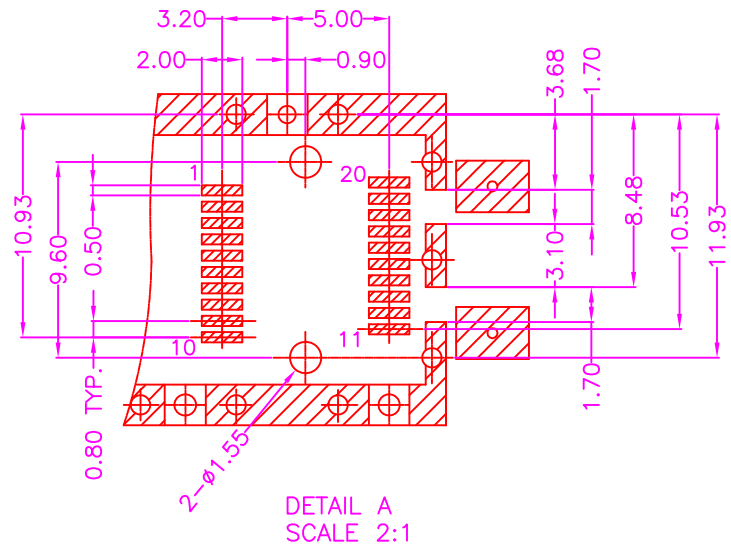


BEZEL OPENING
BELOW TOP OF PCB



CROSS HATCHED AREA
DENOTES COMPONENT
AND TRACE KEEP OUT

P.C.B LAYOUT
TOP VIEW ±0.05



DETAIL A
SCALE 2:1