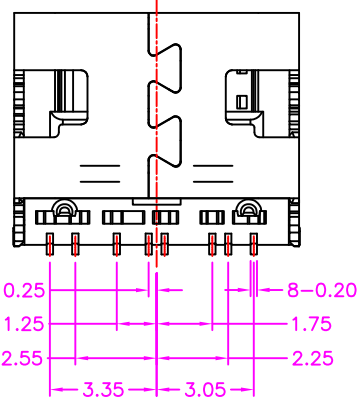
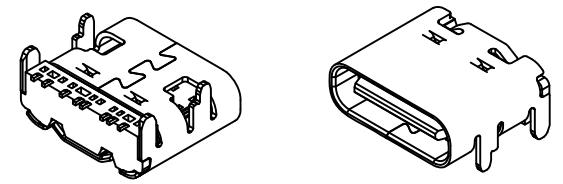
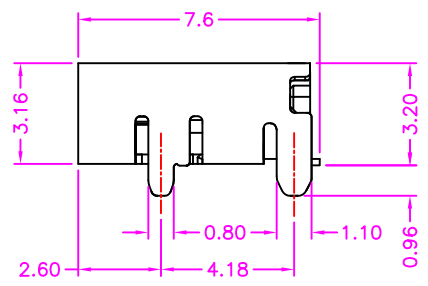
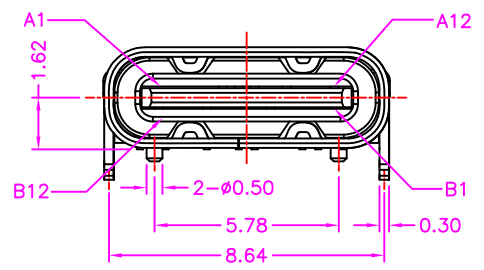


**MATERIALS**

HOUSING: HI-TEMP. PLASTIC (UL 94V-0), BLACK  
 SHELL: STAINLESS STEEL, NICKEL PLATING  
 TERMINAL: COPPER ALLOY, GOLD PLATED

**SPECIFICATION**

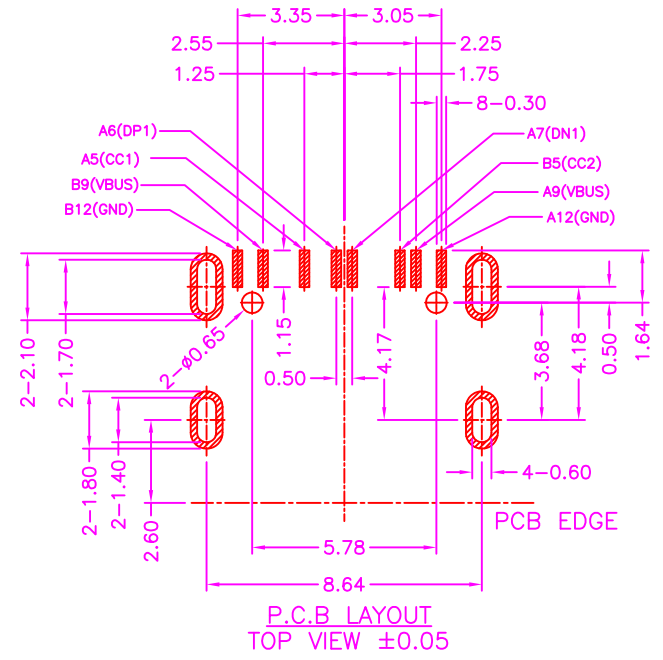
CURRENT RATING:  
 1.5A/PIN MAX (A9,B9)  
 1.5A/PIN MAX (A12,B12)  
 0.25A FOR ALL THE OTHERS CONTACTS  
 DIELECTRIC WITHSTANDING: 300V AC FOR ONE MINUTE  
 CONTACT RESISTANCE: 40m OHMS MAX  
 INSULATION RESISTANCE: 100M OHMS MIN AT DC 300V  
 OPERATION TEMPERATURE: -40°C~+85°C



PART NUMBER:  
**BUSJB - 0 8 \* - 1 \* 7**

SERIES — NO. OF POS. — PACKAGE OPTION  
 1: TRAY  
 2: TAPE REEL

CONTACT PLATED OPTION  
 1: 1u" GOLD  
 3: 3u" GOLD  
 5: 5u" GOLD  
 6: 10u" GOLD  
 7: 15u" GOLD  
 9: 30u" GOLD

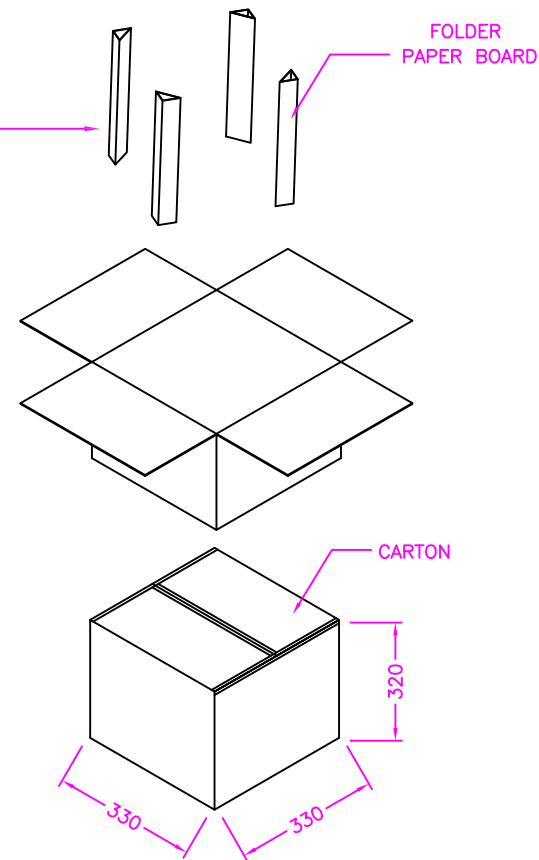
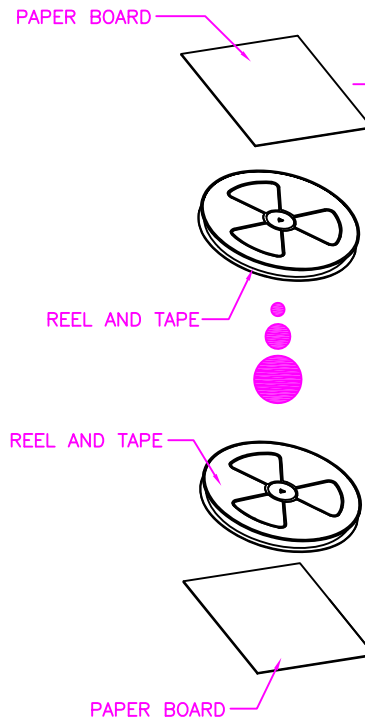
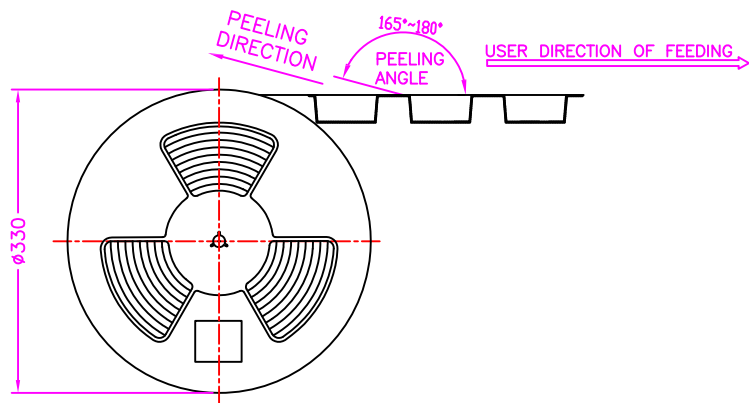
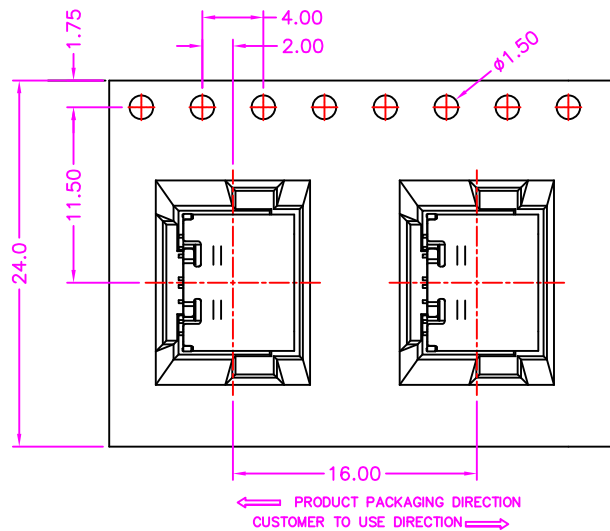
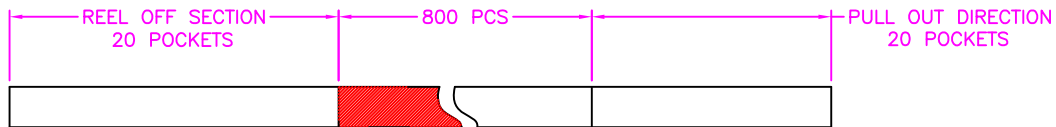


TOLERANCES

X.±0.40	.XX±0.20
.X±0.30	.XXX±0.10

REV.	A	DRAWN BY	Zhong 2019/10/8	TITLE	USB C TYPE, PCB MOUNT, SMT, METAL SHIELD, 8PIN, H=3.20mm, FEMALE				
		APPROVED BY	Lion 2019/10/8	DRAW NO.	BUSJB-007	UNIT	MM	Sheet	1/2

DRAWN BY	Zhong 2019/10/8	TITLE	USB C TYPE, PCB MOUNT, SMT, METAL SHIELD, 8PIN, H=3.20mm, FEMALE				
APPROVED BY	Lion 2019/10/8	DRAW NO.	BUSJB-007	UNIT	MM	Sheet	1/2



NOTE: 800PCS/ REEL, 8000PCS/ 10 REEL/CARTON