

MATERIALS

HOUSING: PE (UL 94 HB), BLACK

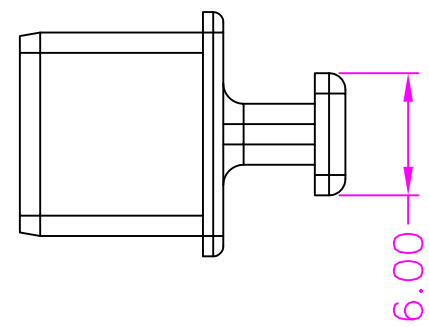
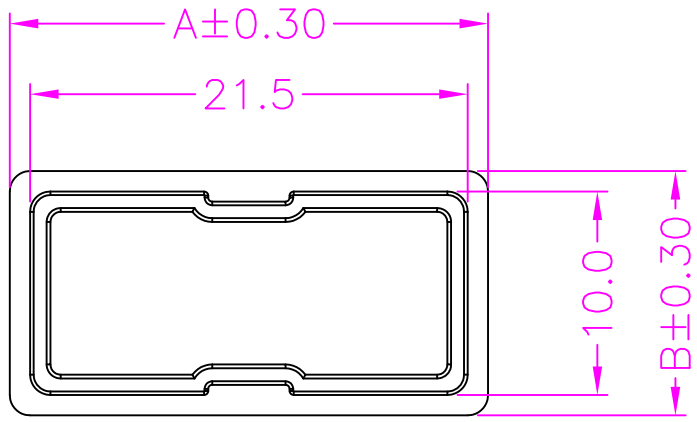
PART NUMBER:

ZCAFX - 4 \* 0 1

SERIES

DIM. OPTION

A: A=23.5mm & B=12.0mm  
 B: A=22.0mm & B=11.0mm



TOLERANCES	
X.±0.40	.XX±0.20
.X±0.30	.XXX±0.10

REV.	A	DRAWN BY	Zhong 2019/7/5	TITLE	CXP DUST COVER				
		APPROVED BY	Lion 2019/7/5	DRAW NO.	ZCAFX-001	UNIT	MM	Sheet	1/1