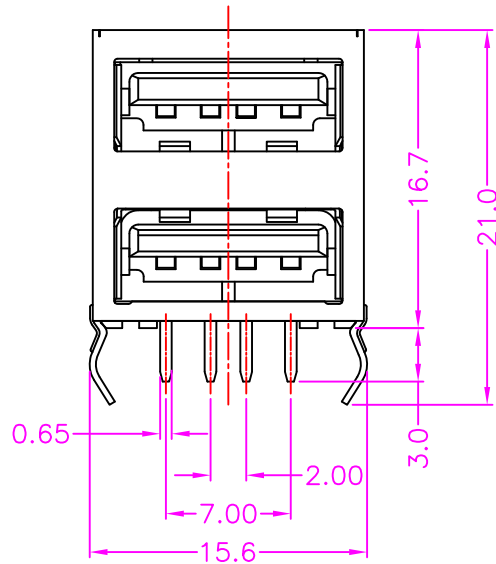
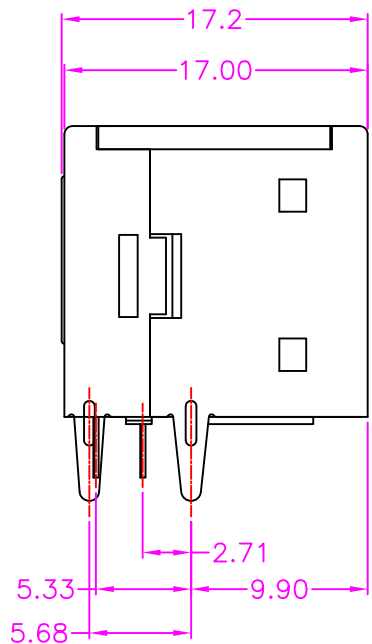


MATERIALS

HOUSING: THERMOPLASTIC (UL 94V-0)
 SHELL: COPPER ALLOY OR SPCC, NICKEL PLATING
 TERMINAL: COPPER ALLOY, GOLD PLATING ON CONTACT AREA
 TIN PLATING ON SOLDER TAIL

SPECIFICATION

CURRENT RATING: 1 AMP MAX
 DIELECTRIC WITHSTANDING: 500V AC FOR ONE MINUTE
 CONTACT RESISTANCE: 30m OHMS MAX
 INSULATION RESISTANCE: 1000M OHMS MIN AT DC 500V
 OPERATION TEMPERATURE: -40°C~+85°C



PART NUMBER:
BUSCC - 0 8 * T * - 1 1 1 *

SERIES ————
 NO. OF POS. ————
 CONTACT PLATED OPTION ————
 HOUSING COLOR OPTION
 BLANK: BLACK
 W: WHITE
 TRAY PACKAGE
 SHELL MATERIAL OPTION:
 BLANK: COPPER ALLOY
 P: SPCC
 TIN PLATING ON SOLDER TAIL

1: GOLD FLASH
 3: 3u" GOLD
 5: 5u" GOLD
 6: 10u" GOLD
 7: 15u" GOLD
 9: 30u" GOLD

REV.	A	DRAWN BY	Zhong 2019/5/28	TITLE	STACKED 2X1 USB A TYPE, PCB MOUNT, R/A, METAL SHIELD, FEMALE				
		APPROVED BY	Lion 2019/5/28	DRAW NO.	BUSCC-001	UNIT	MM	Sheet	1/1