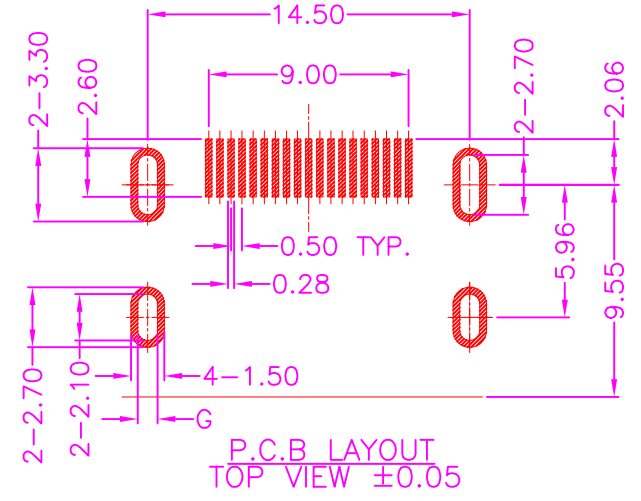
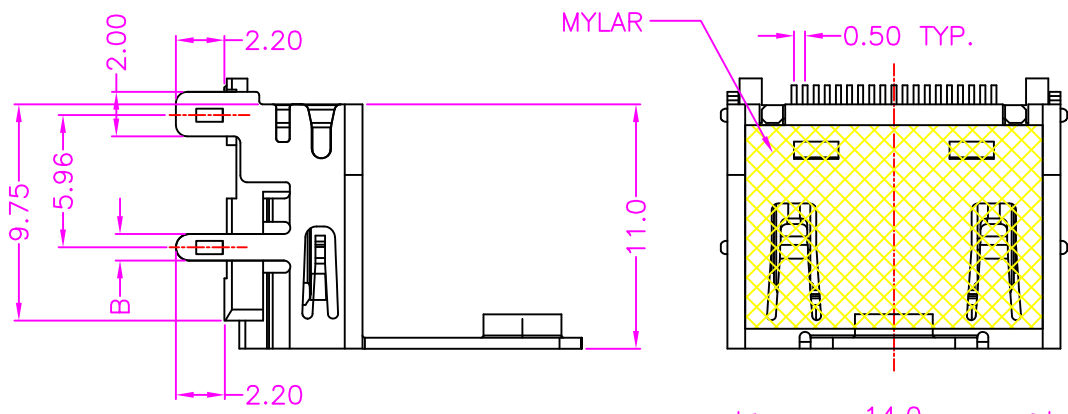
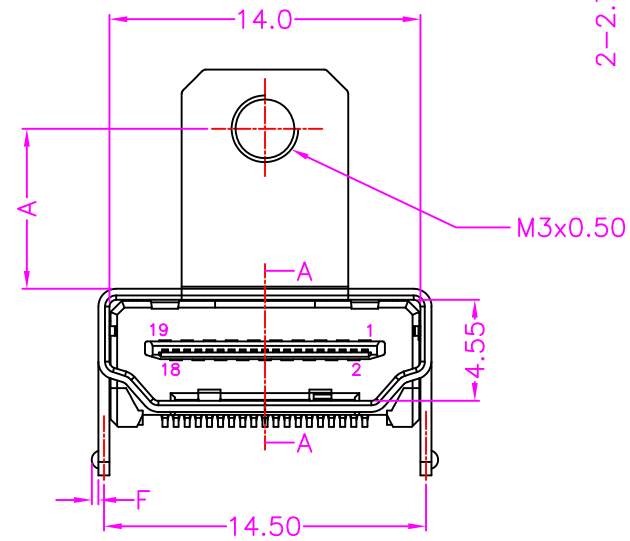
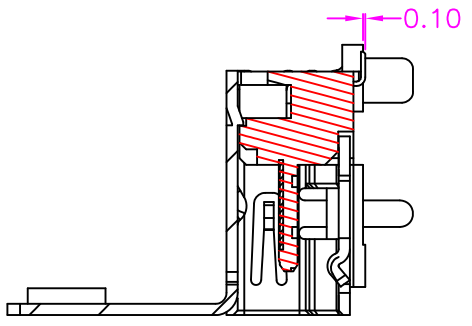


A



B



HDMI TYPE A PIN ASSIGNMENT

PIN	Signal Assignment
1	TMDS Data2+
2	TMDS Data2 Shield
3	TMDS Data2-
4	TMDS Data1+
5	TMDS Data1 Shield
6	TMDS Data1-
7	TMDS Data0+
8	TMDS Data0 Shield
9	TMDS Data0-
10	TMDS Clock+
11	TMDS Clock Shield
12	TMDS Clock-
13	CEC
14	Reserved (N.C. on device)
15	SCL
16	SDA
17	DDC/CEC Ground
18	+5V Power
19	Hot Plug Detect

TABLE 1

ITEM	DIM A	DIM B
1	7.20	1.20
2	5.10	1.20
3	7.20	1.00
4	5.10	1.00

TABLE 2

ITEM	DIM. F	DIM. G
1	NON	0.90
2	0.15	0.90
3	0.30	1.10

PART NUMBER:
BHDBC - 1 9 * T - 1 * 1 * * *

SERIES: BHDBC
NO. OF POS.: 1 9
CONTACT PLATED OPTION: *
TIN PLATING ON SOLDER TAIL: T
1: GOLD FLASH
3: 3u" GOLD
5: 5u" GOLD
7: 15u" GOLD
9: 30u" GOLD

MYLAR OPTION
BLANK: WITHOUT MYLAR
M: WITH MYLAR

"F & G" LENGTH OPTION
REF TABLE 2

"A & B" LENGTH OPTION
REF TABLE 1

PACKAGE OPTION
2: TAPE REEL
3: TUBE

MATERIALS
HOUSING: HI-TEMP. PLASTIC (UL 94V-0)
SHELL: COPPER ALLOY, NICKEL PLATING
TERMINAL: COPPER ALLOY, GOLD PLATED ON CONTACT AREA
TIN PLATING ON SOLDER TAIL

SPECIFICATION
CURRENT RATING: 0.5 AMP MAX
DIELECTRIC WITHSTANDING: 500V AC FOR ONE MINUTE
CONTACT RESISTANCE: 30m OHMS MAX
INSULATION RESISTANCE: 100M OHMS MIN AT DC 500V
OPERATION TEMPERATURE: -40°C~+85°C



TOLERANCES
X.±0.40 .XX±0.20
.X±0.30 .XXX±0.10

REV.	A	DRAWN BY	Frank 2019/6/3	TITLE	HDMI, PCB MOUNT, SMT, METAL SHIELD, WITH EAR & SCREW, FEMALE				
		APPROVED BY	Lion 2019/6/3	DRAW NO.	BHDBC-001	UNIT	MM	Sheet	1/1