

MATERIALS

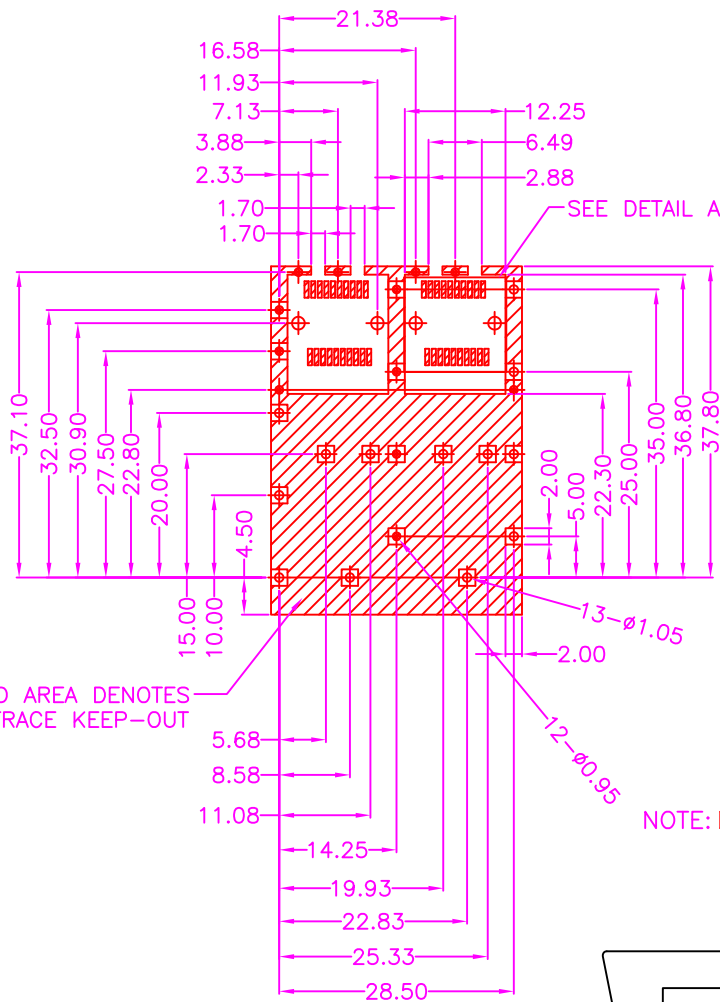
METAL SHIELD: COPPER ALLOY

PART NUMBER:

F12AD - 0 C - 1 1

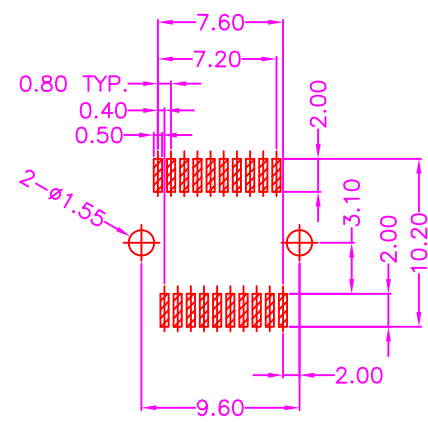
SERIES

TRAY PACKAGE

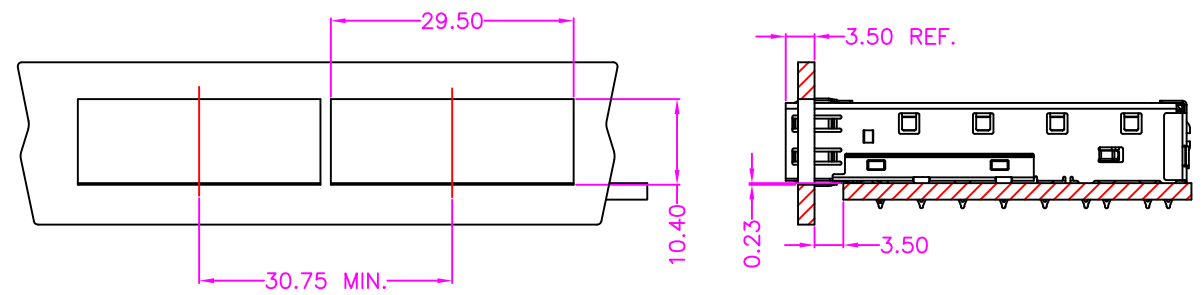


P.C.B. LAYOUT
TOP VIEW ±0.05

NOTE: 13-Ø1.05
 • 12-Ø0.95

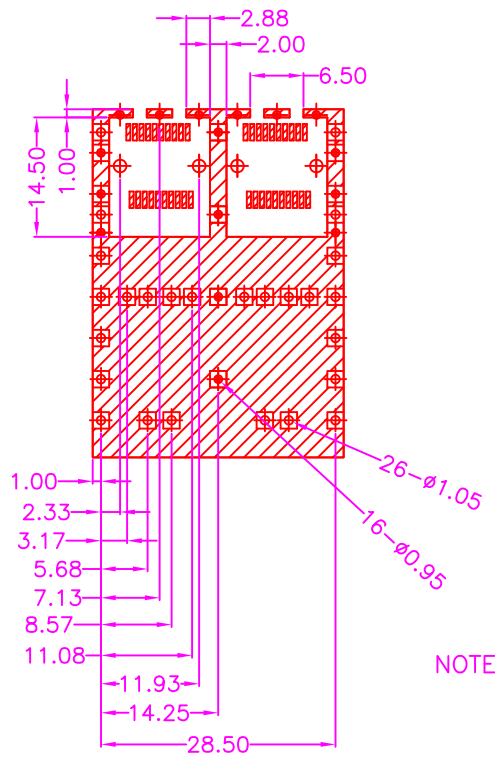


DETAIL A(SCALE 2:1)



BEZEL

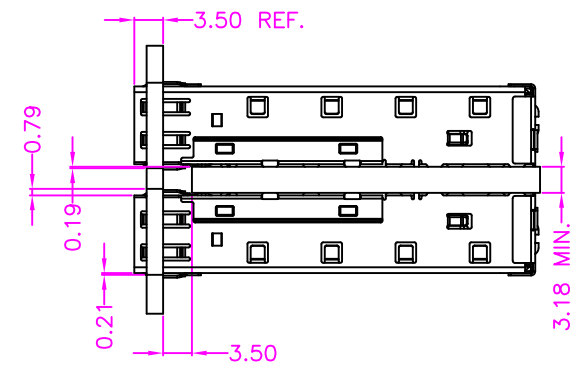
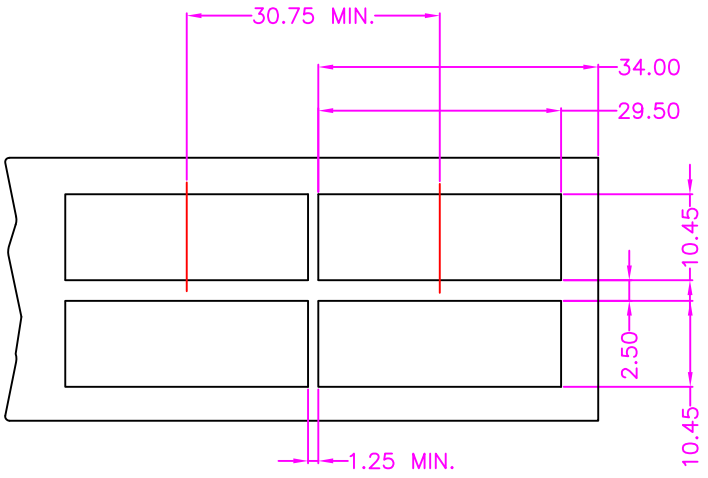
RECOMMENDED BEZEL THICKNESS: 0.80~2.60mm

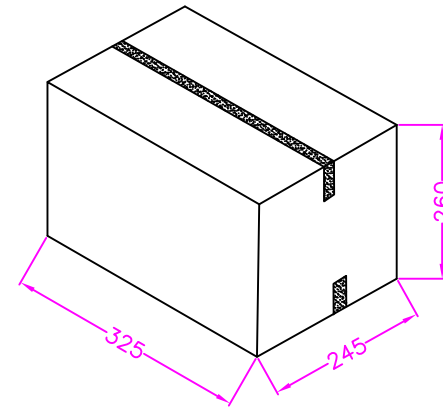
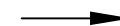
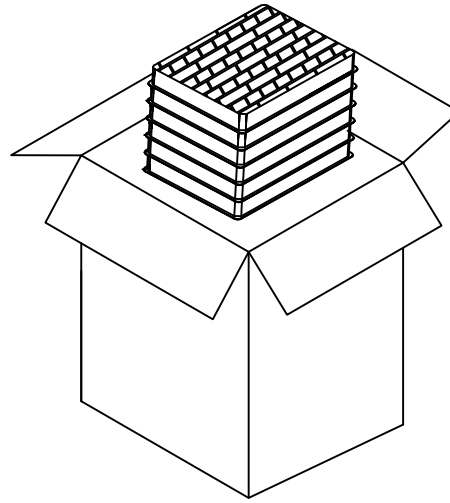
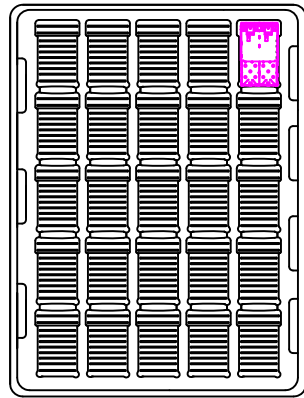


NOTE: 26-ø1.05
 • 16-ø0.95

P.C.B. LAYOUT
 TOP VIEW ±0.05

PCB LAYOUT FOR BELLY TO BELLY MOUNTING





NOTE: 25PCS/ TRAY, 300PCS/ 12 TRAY/ CARTON