

MATERIALS:

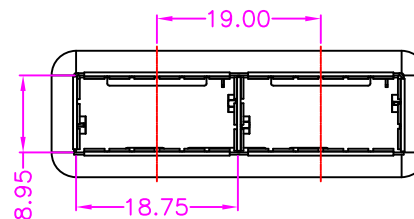
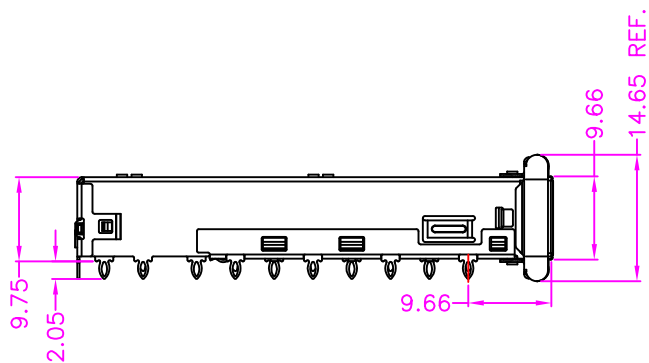
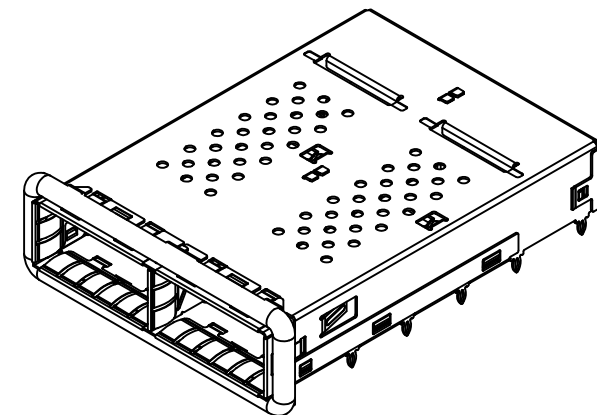
METAL SHIELD: COPPER ALLOY
EMI GASKET: CONDUCTIVE ELASTOMERIC

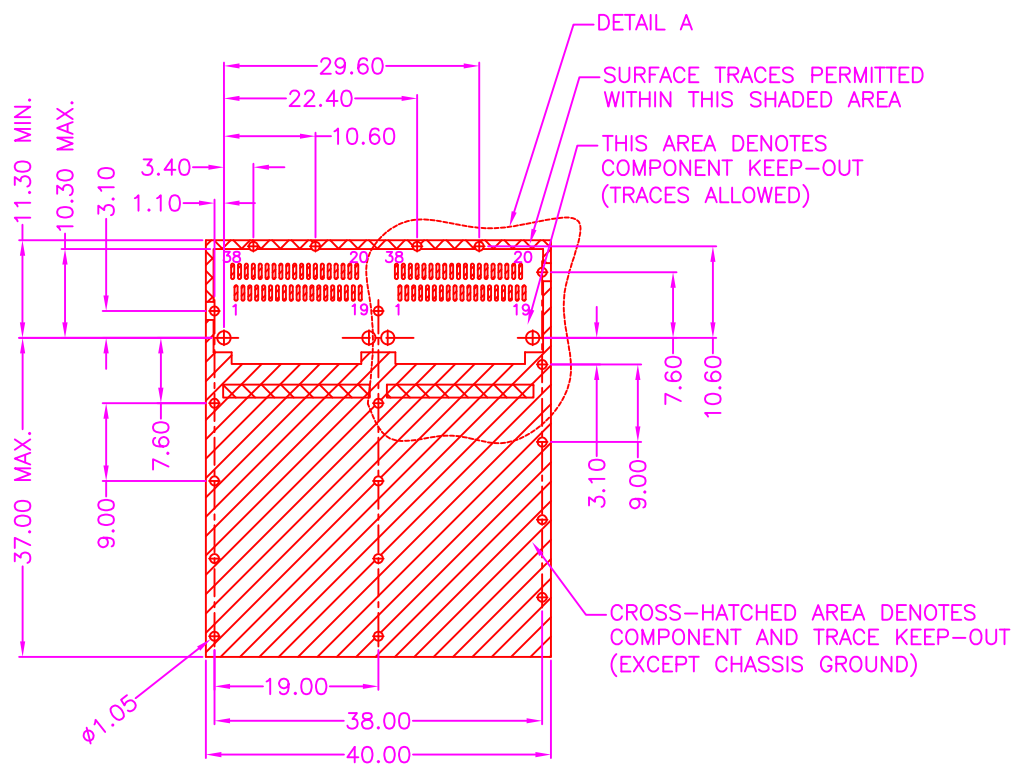
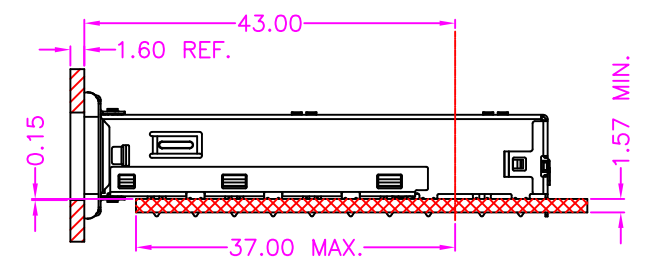
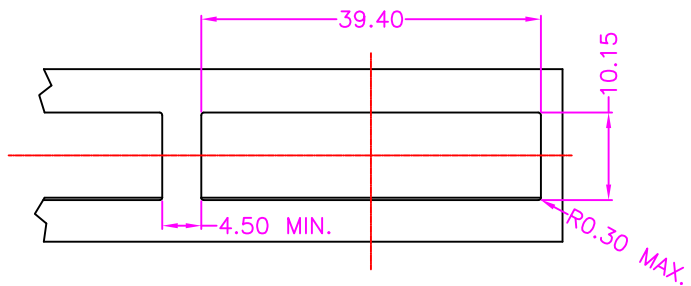
PART NUMBER:

FQ12AL - 0 C - 1 1

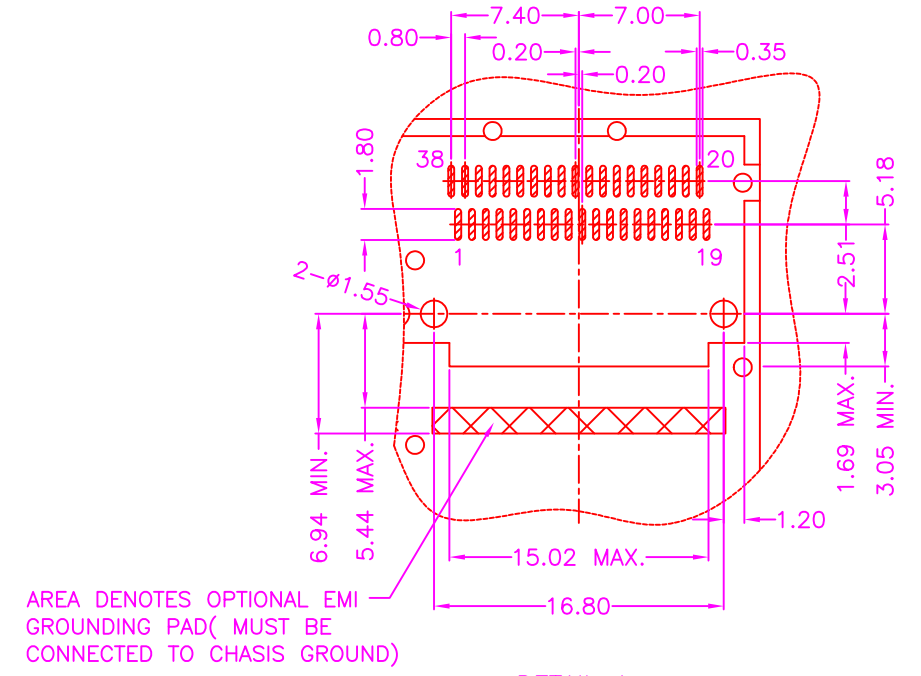
SERIES

TRAY PACKAGE





P.C.B. LAYOUT
TOP VIEW ± 0.05



DETAIL A
(SCALE 2:1)