

MATERIALS
 HOUSING: LCP (UL 94V-0), BLACK
 SHELL: STAINLESS STEEL, NICKEL PLATING
 TERMINAL: COPPER ALLOY, GOLD PLATED ON CONTACT AREA
 TIN PLATING ON SOLDER TAIL

SPECIFICATION
 CURRENT RATING: 0.5 AMP MAX
 DIELECTRIC WITHSTANDING: 500V AC FOR ONE MINUTE
 CONTACT RESISTANCE: 100m OHMS MAX
 INSULATION RESISTANCE: 1000M OHMS MIN AT DC 500V
 OPERATION TEMPERATURE: -40°C~+85°C

PART NUMBER:
 MMCUD - 1 8 * T - 1 2 1

SERIES ——— NO. OF POS. ——— CONTACT PLATED OPTION ———

TIN PLATING ON SOLDER TAIL ——— TAPE REEL PACKAGE

1: GOLD FLASH
 3: 3u" GOLD
 5: 5u" GOLD
 6: 10u" GOLD
 7: 15u" GOLD
 9: 30u" GOLD

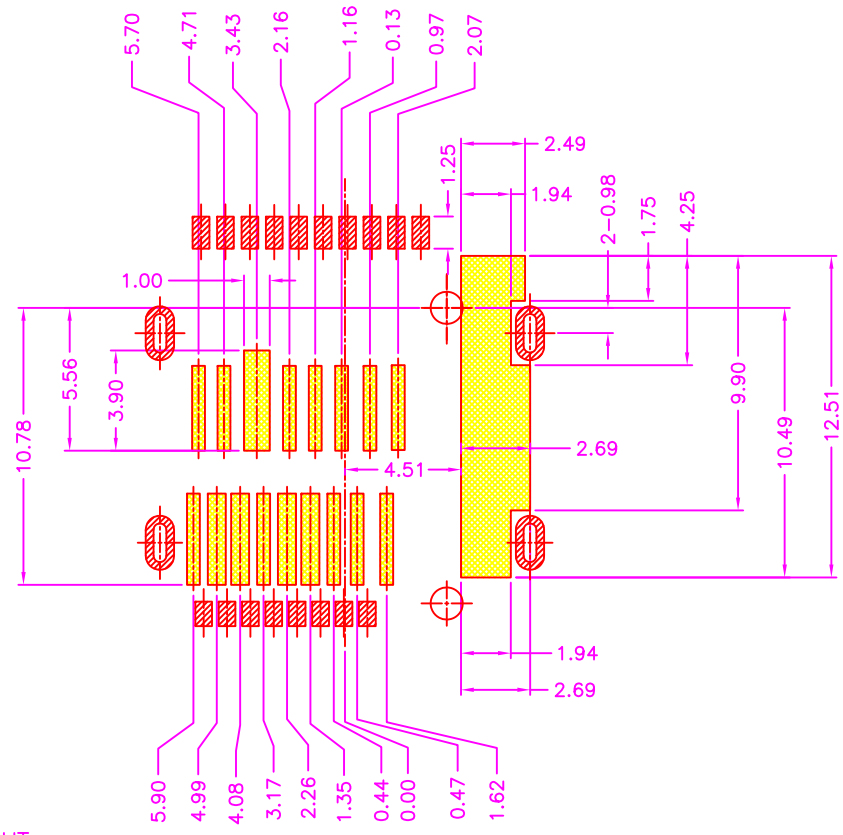
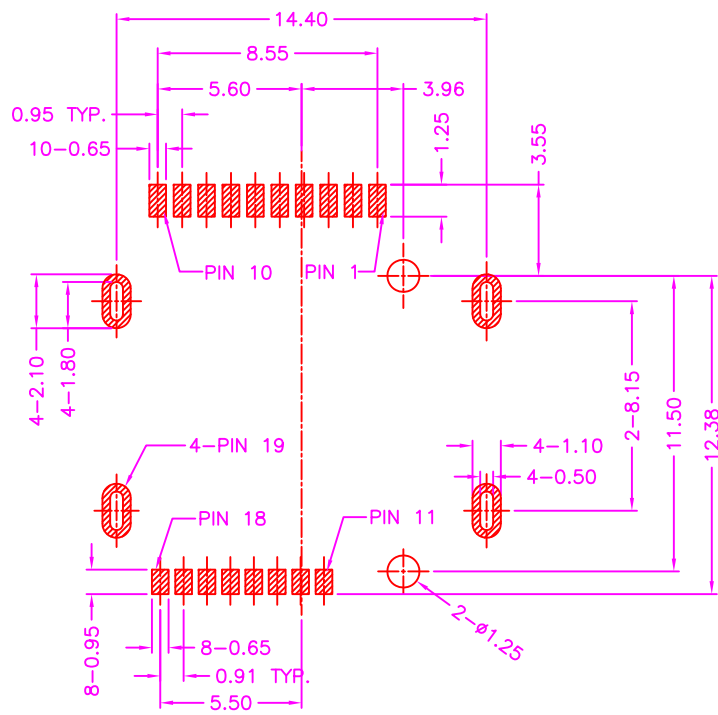


TOLERANCES	
X.±0.40	.XX±0.20
.X±0.30	.XXX±0.10

REV.	A

DRAWN BY	Zhong 2018/5/29
APPROVED BY	Lion 2017/5/29

TITLE	MICRO SD CARD 4.0, 18PIN, PCB MOUNT, SMT, METAL SHIELD, PUSH PUSH TYPE FEMALE, H=1.50mm				
DRAW NO.	MMCUD-001	UNIT	MM	Sheet	1/4

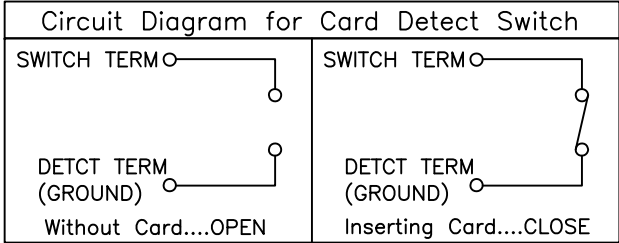


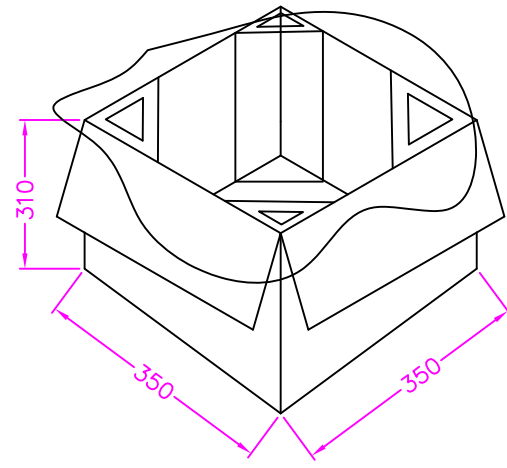
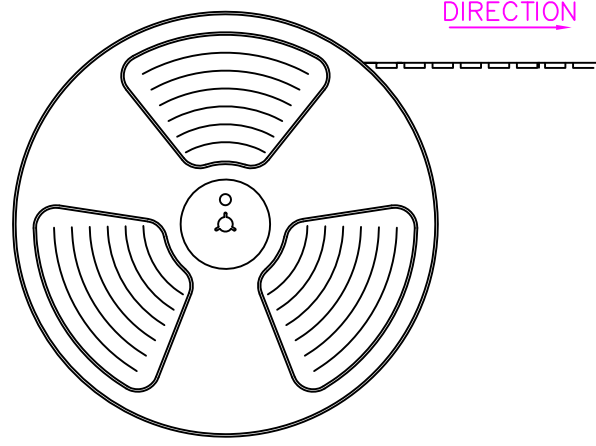
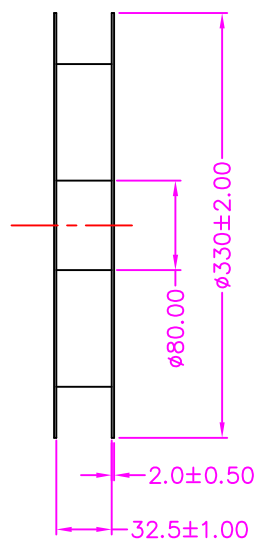
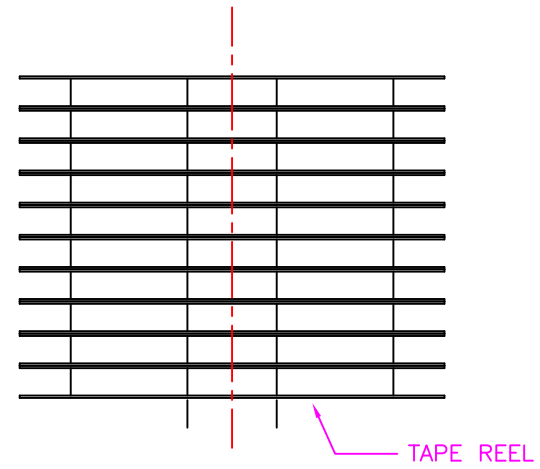
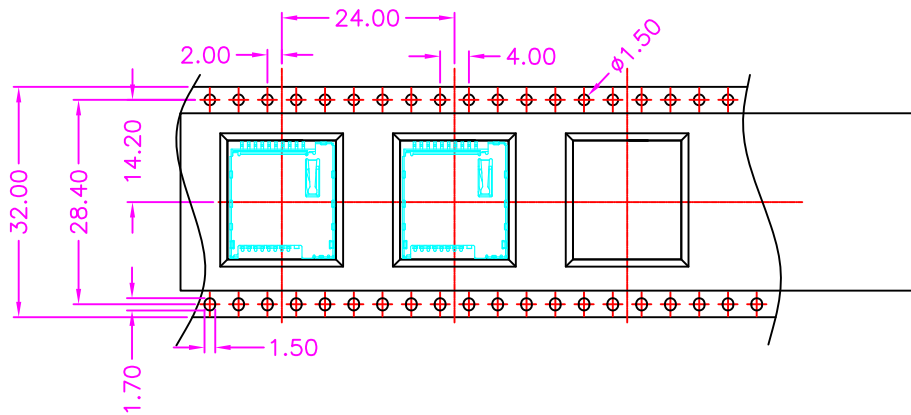
P.C.B. LAYOUT
TOP VIEW ±0.05

- PAD
- NO trace,NO test point
NO via hole,NO ground area

PIN DEFINE

Connector PinNo.	MicroSD 4.0 Card Pin No.	Micro SD with UHS-II and SWIO support		
		Name	Type	Description
P1	P9	V _{DD2}	S	Supply voltage(1.8V)
P2	P1	DAT2	I/O	Data Line[Bit 2]
P3	P2	CD/DAT3	I/O	Card Detect/Data Line[Bit 3]
P4	P3	CMD	I/O	Command/Response
P5	P4	V _{DD1}	S	Supply voltage(3.3V)
P6	P5	CLK	I	Clock
P7		CD		
P8	P6	V _{SS}	S	Supply voltage ground
P9	P7	DAT0/RCLK+	I/O	Data Line[Bit 0]/RCLK+
P10	P8	DAT1/RCLK-	I/O	Data Line[Bit 1]/RCLK-
P11	P17	SWIO	I	Single Wire Protocol Interface
P12	P10	V _{SS}	S	Supply voltage ground
P13	P11	D0+	I/O	UHS-II D0+
P14	P12	D0-	I/O	UHS-II D0-
P15	P13	V _{SS}	S	Supply voltage ground
P16	P14	D1-	I/O	UHS-II D1-
P17	P15	D1+	I/O	UHS-II D1+
P18	P16	V _{SS}	S	Supply voltage ground
P19	GND		GROUND	





NOTE: 800PCS/ REEL, 6400PCS/ 8 REEL/ CARTON