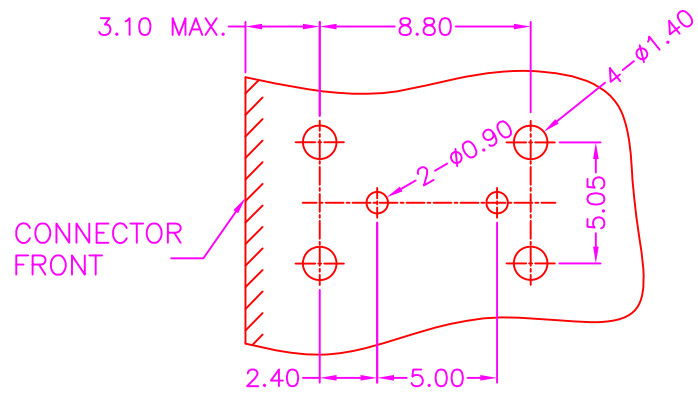
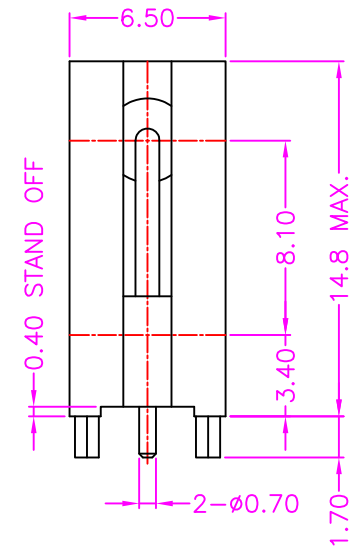
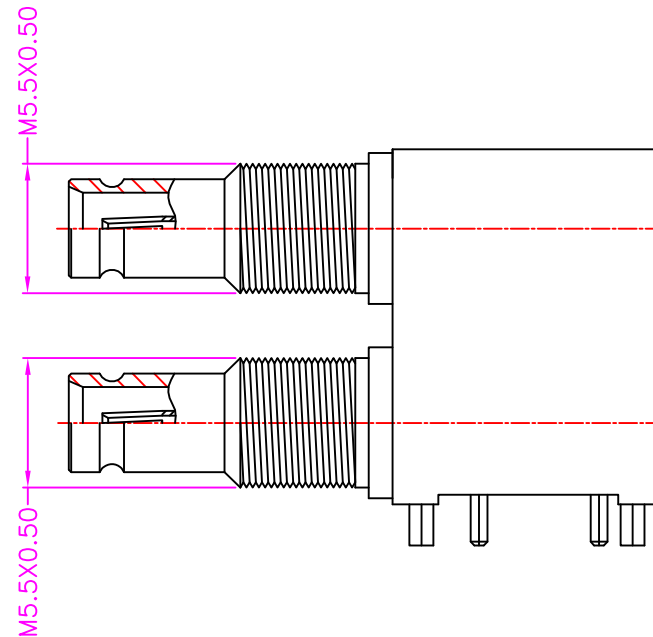
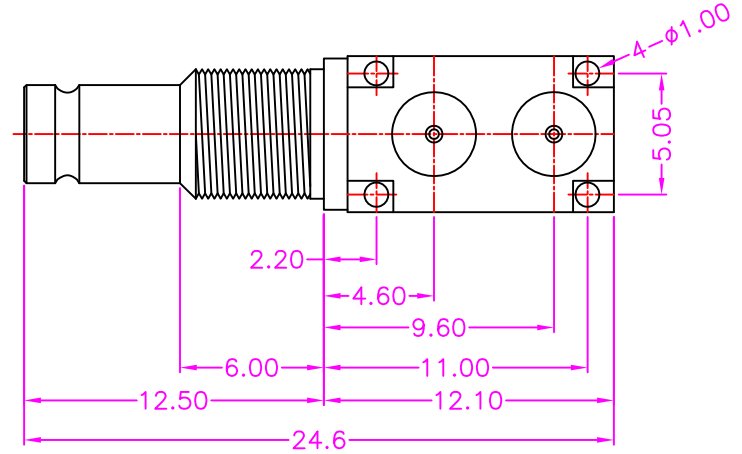


PANEL CUT OUT



CONNECTOR FRONT

P.C.B LAYOUT TOP VIEW ±0.05



MATERIALS

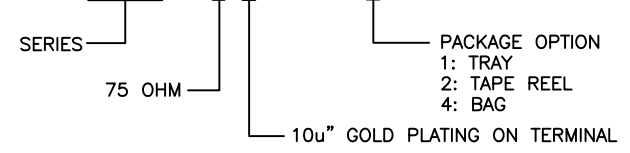
HOUSING: COPPER ALLOY, GOLD PLATED
 INSULATOR: TEFLON (UL 94V-0), WHITE
 CENTER CONTACT: COPPER ALLOY, GOLD PLATED

INFORMATION

COMPATIBLE NUTS DRAWING NO:
 ZR13SE-001

PART NUMBER:

R13SE - 7 6 1 - 1 * 1

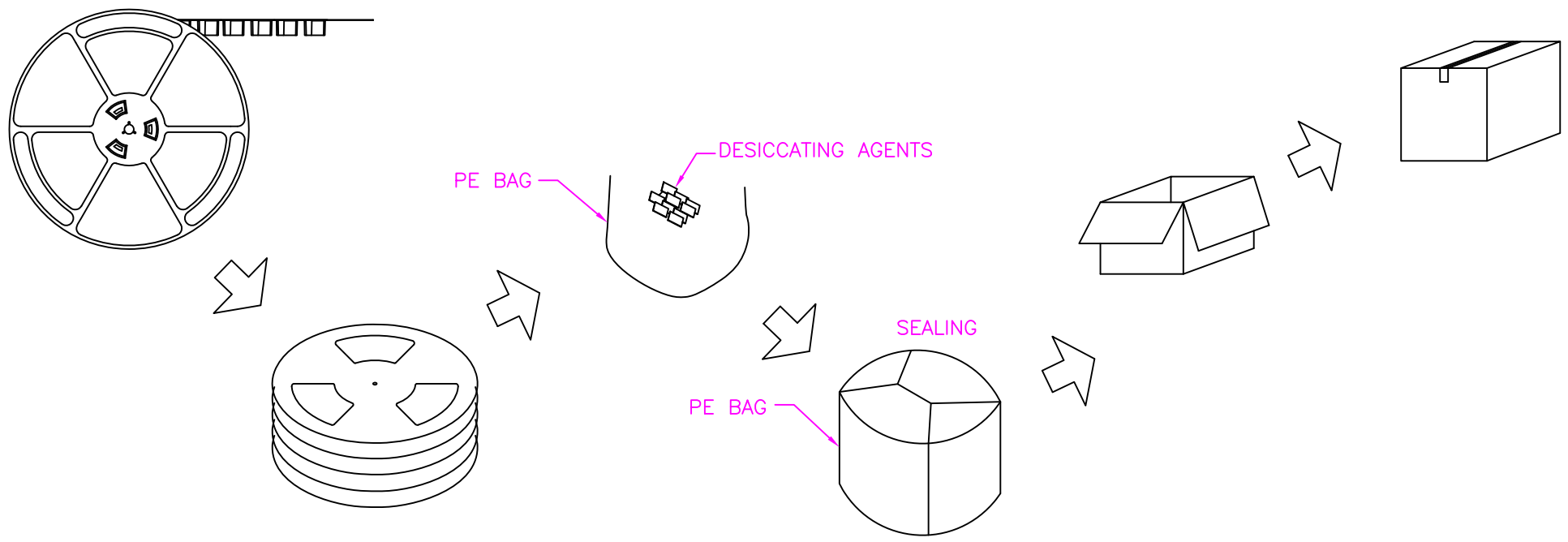


B	MODIFY NUT DRAW	2018.4.10
A	RELEASE	2017.11.24
REV.	DESCRIPTION	DATE

ZICONN
 ELECTRONIC CO., LTD.
 WWW.ZICONN.COM 886-3-4687695

TOLERANCES
 X.±0.40 .XX±0.20
 .X±0.30 .XXX±0.10

REV.	B	DRAWN BY	Jeff 2018/4/10	TITLE	STACKED 2x1 DIN 1.0/2.3, 75 OHM, PCB MOUNT, R/A, WITH POST, FEMALE				
		APPROVED BY	Lion 2018/4/10	DRAW NO.	R13SE-001	UNIT	MM	Sheet	1/2



PACKAGE QUANTITY:
 200PCS/ REEL, 800PCS/ 4 REEL/ CARTON

PACKAGING WORKFLOW:
 WHEN PACKING, USE A WATERPROOF BAG
 AS WELL AS DRY BAG AND SEAL IT WITH A SEALER

 WWW.ZICONN.COM 886-3-4687695	TOLERANCES X.±0.40 .XX±0.20 .X±0.30 .XXX±0.10		REV.	B	DRAWN BY	Jeff 2018/4/10	TITLE	STACKED 2x1 DIN 1.0/2.3, 75 OHM, PCB MOUNT, R/A, WITH POST, FEMALE			
			APPROVED BY	Lion 2018/4/10	DRAW NO.	R13SE-001	UNIT	MM	Sheet	2/2	