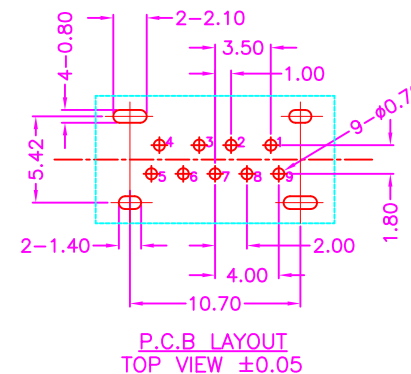
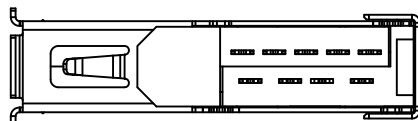
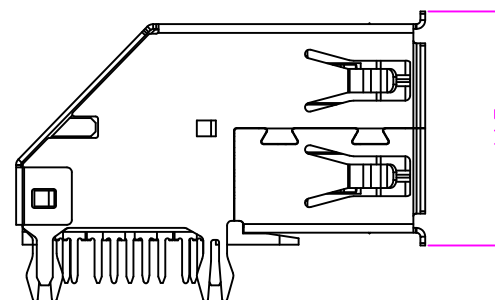
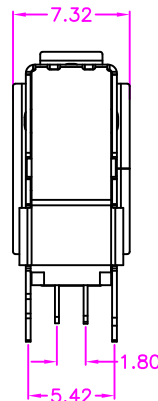
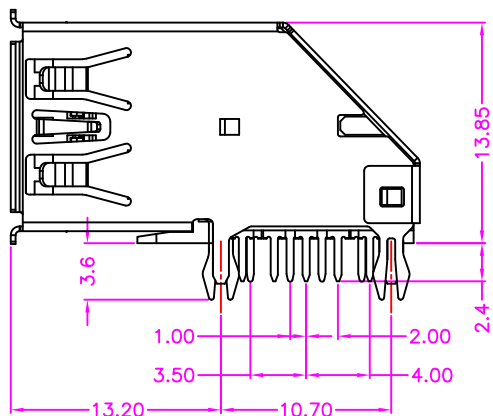
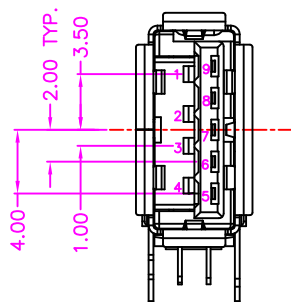
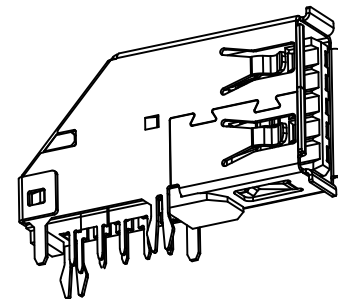
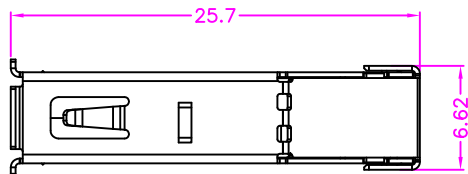


Pin Number	Signal Name	Pin Number	Signal Name
1	VBUS	5	SSRX-
2	D-	6	SSRX+
3	D+	7	GND
4	GND	8	SSTX-
Shell	Shield	9	SSRT+



**MATERIALS**

HOUSING: PBT OR LCP (UL 94V-0), BLUE  
 SHELL: SUS304, NICKEL PLATING  
 TERMINAL: COPPER ALLOY, GOLD PLATED ON CONTACT AREA  
 TIN PLATING ON SOLDER TAIL

**SPECIFICATION**

CURRENT RATING: 1.5 AMP MAX  
 DIELECTRIC WITHSTANDING: 500V AC FOR ONE MINUTE  
 CONTACT RESISTANCE: 30m OHMS MAX  
 INSULATION RESISTANCE: 1000M OHMS MIN AT DC 500V  
 OPERATION TEMPERATURE: -40°C~+85°C

**PART NUMBER:**

BUSEU - 0 9 \* T - 1 1 1 \*

SERIES: BUSEU  
 NO. OF POS.: 09  
 CONTACT PLATED OPTION: \*  
 HOUSING OPTION: T  
 BLANK: PBT  
 L: LCP  
 TRAY PACKAGE: 1  
 TIN PLATING ON SOLDER TAIL: 1

1: GOLD FLASH  
 3: 3u" GOLD  
 5: 5u" GOLD  
 6: 10u" GOLD  
 7: 15u" GOLD  
 9: 30u" GOLD



TOLERANCES	
X.±0.40	.XX±0.20
.X±0.30	.XXX±0.10

REV.	A	DRAWN BY	Frank 2018/7/5	TITLE
		APPROVED BY	Lion 2018/7/5	DRAW NO.

USB 3.0 A TYPE, PCB MOUNT, UPRIGHT, METAL SHIELD, FEMALE				
BUSEU-001	UNIT	MM	Sheet	1/1