

MATERIALS

HOUSING: LCP (UL 94V-0), BLACK
 SHELL: COPPER ALLOY, NICKEL PLATING
 TERMINAL: COPPER ALLOY, GOLD PLATED

SPECIFICATION

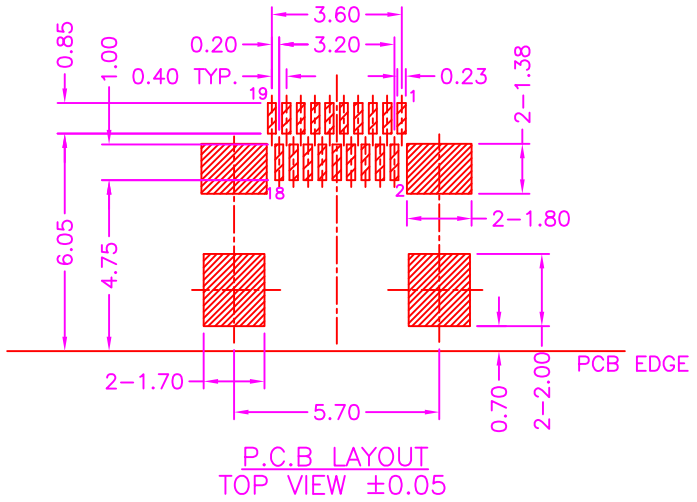
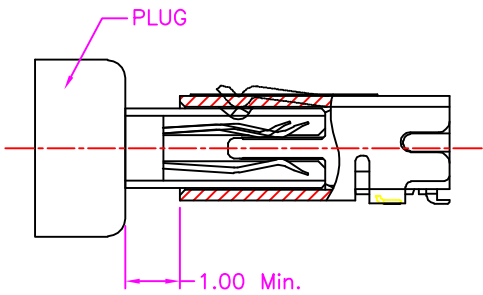
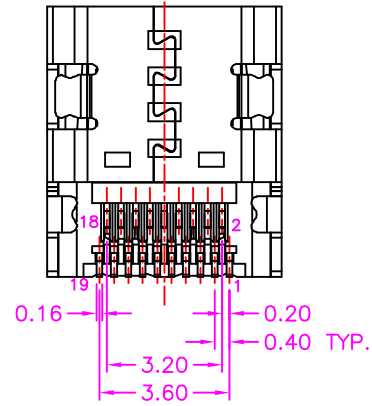
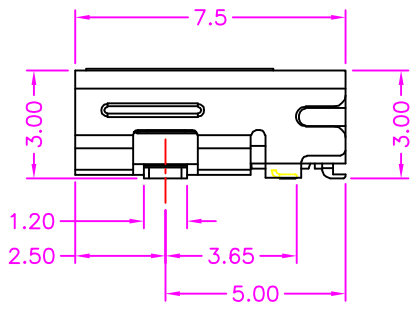
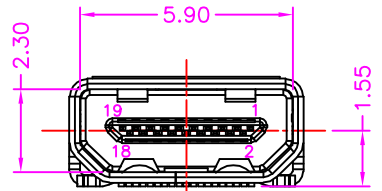
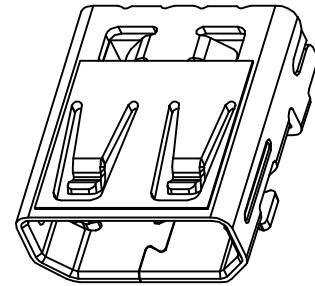
CURRENT RATING: 0.8 AMP MAX
 DIELECTRIC WITHSTANDING: 250V AC FOR ONE MINUTE
 CONTACT RESISTANCE: 10m OHMS MAX
 INSULATION RESISTANCE: 100M OHMS MIN AT DC 500V
 OPERATION TEMPERATURE: -40°C~+85°C

PART NUMBER:

BHDLA - 1 9 * - 1 2 1 *



- CONTACT PLATED OPTION
- 1: GOLD FLASH
 - 3: 3u" GOLD
 - 5: 5u" GOLD
 - 7: 15u" GOLD
 - 9: 30u" GOLD



TOLERANCES

X.±0.40	.XX±0.20
.X±0.30	.XXX±0.10

REV.	A	DRAWN BY	Zhong 2018/9/20	TITLE	MICRO HDMI, D TYPE, 0.40mm PITCH, PCB MOUNT, SMT, METAL SHIELD WITH MYLAR, FEMALE
		APPROVED BY	Lion 2018/9/20	DRAW NO.	BHDLA-001

UNIT	MM	Sheet	1/1
------	----	-------	-----