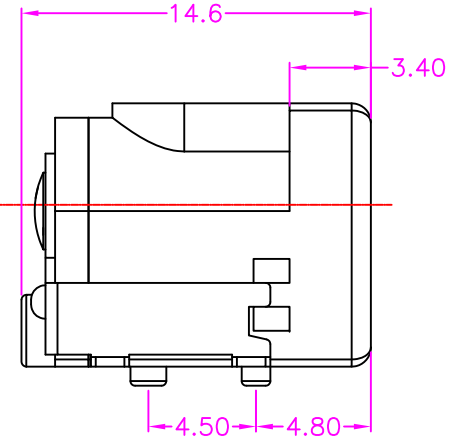
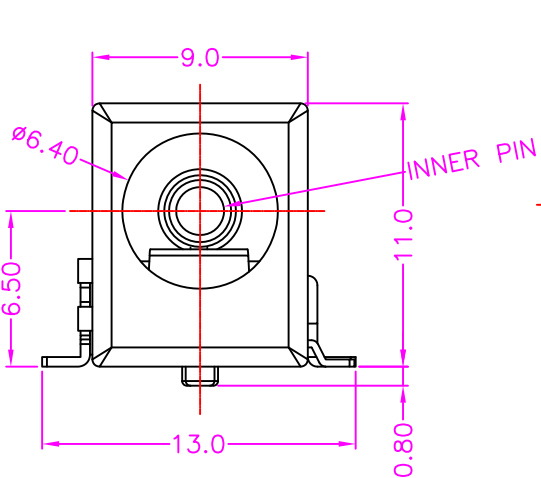


P.C.B. LAYOUT
TOP VIEW ±0.05



MATERIALS

HOUSING: HI-TEMP. PLASTIC (UL 94V-0), BLACK
 INNER PIN: COPPER ALLOY
 TERMINAL: COPPER ALLOY

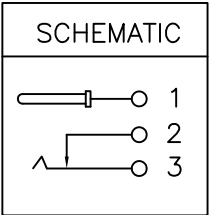
SPECIFICATION

DIELECTRIC WITHSTANDING: 500V AC FOR ONE MINUTE
 CONTACT RESISTANCE: 50m OHMS MAX
 INSULATION RESISTANCE: 100M OHMS MIN AT DC 500V
 OPERATION TEMPERATURE: -40°C~+85°C

PART NUMBER:

JPJBB - * * * - 1 * 1

- SERIES — JPJBB
- INNER PIN OPTION — *
 - 2: $\phi 2.50\text{mm}$
 - 4: $\phi 2.00\text{mm}$
- TERMINAL PLATING OPTION — *
 - BLANK: TIN
 - S: SILVER
- INNER PIN PLATING OPTION — *
 - BLANK: TIN
 - S: SILVER
- PACKAGE OPTION — 1 * 1
 - 1. TRAY
 - 2. TAPE REEL
 - 4. BAG



TOLERANCES

X.±0.40	.XX±0.20
.X±0.30	.XXX±0.10

REV.	A	DRAWN BY	Zhong 2018/5/22	TITLE	DC POWER JACK, PCB MOUNT, SMT, WITH POST				
		APPROVED BY	Lion 2018/5/22	DRAW NO.	JPJBB-001	UNIT	MM	Sheet	1/1

