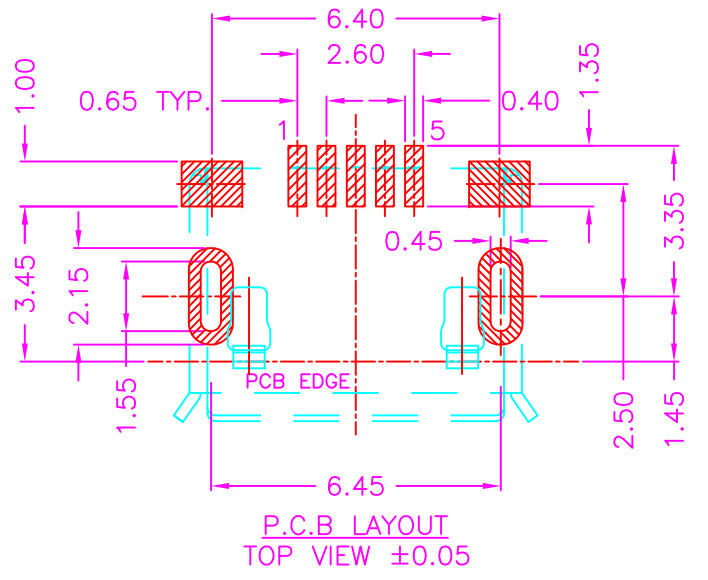


PART NUMBER:
BUSTA - 0 5 * - 1 * 4

SERIES ————
 NO. OF POS. ————
 CONTACT PLATED OPTION ————

PACKAGE OPTION
 2: TAPE REEL
 3: TUBE

1: 1u" GOLD
 3: 3u" GOLD
 5: 5u" GOLD
 7: 15u" GOLD
 9: 30u" GOLD



MATERIALS

HOUSING: HI-TEMP. PLASTIC (UL 94V-0), BLACK
 SHELL: COPPER ALLOY, NICKEL PLATING
 TERMINAL: COPPER ALLOY, GOLD PLATING

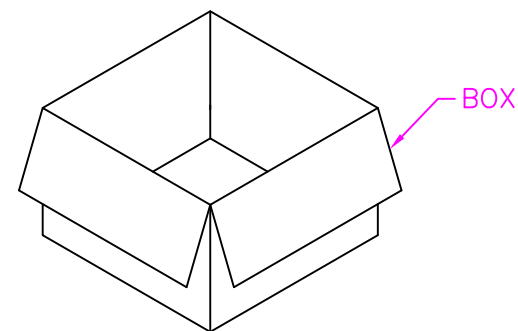
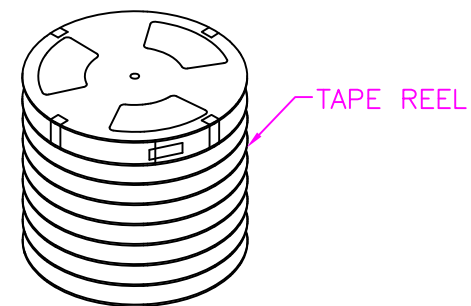
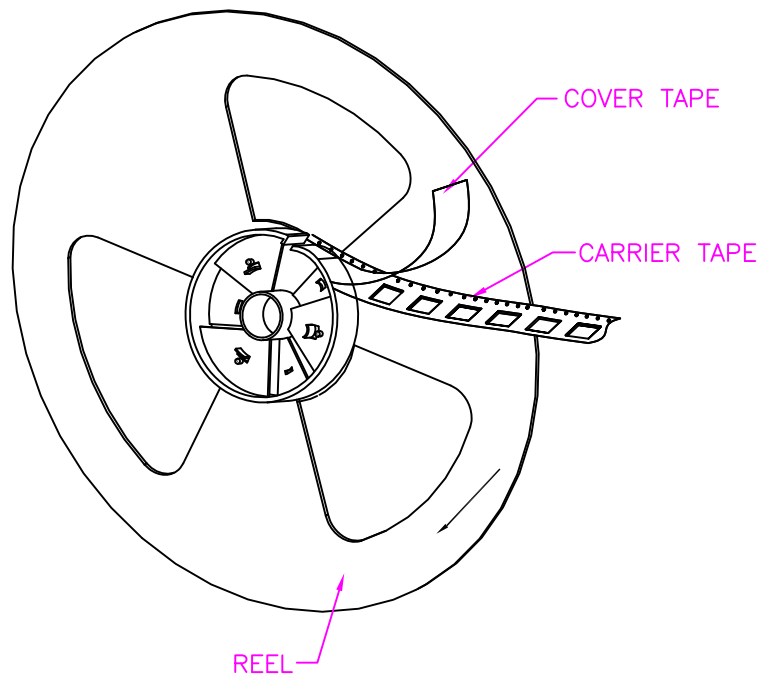
SPECIFICATION

CURRENT RATING: 1.8 AMP MAX (ONLY PIN 1, 5), OTHER 1 AMP MAX
 DIELECTRIC WITHSTANDING: 100V AC FOR ONE MINUTE
 CONTACT RESISTANCE: 30m OHMS MAX
 INSULATION RESISTANCE: 100M OHMS MIN AT DC 500V
 OPERATION TEMPERATURE: -40°C~+105°C



TOLERANCES	
X.±0.40	.XX±0.20
.X±0.30	.XXX±0.10

REV.	A	DRAWN BY	Frank 2018/7/3	TITLE	MICRO USB B TYPE, PCB MOUNT, SMT, METAL SHIELD, FEMALE				
		APPROVED BY	Lion 2018/7/3	DRAW NO.	BUSTA-004	UNIT	MM	Sheet	1/2



NOTE: 1500PCS/REEL, 12000PCS/8 REEL/BOX