

PART NUMBER:

MCEER - * * * * T - 1 1 1 * *

- SERIES
- NO. OF POS. REF. TABLE
- CONTACT PLATED OPTION
 - 1: GOLD FLASH
 - 3: 3u" GOLD
 - 5: 5u" GOLD
 - 6: 10u" GOLD
 - 7: 15u" GOLD
 - 9: 30u" GOLD
- CAP OPTION
 - BLANK: W/O CAP
 - C: WITH CAP
- HOUSING COLOR OPTION
 - BLANK: BLACK
 - W: WHITE
- TRAY PACKAGE
- TIN PLATING ON SOLDER TAIL

MATERIALS

HOUSING: THERMOPLASTIC (UL 94V-0)
 TERMINAL: COPPER ALLOY, GOLD PLATED ON CONTACT AREA
 TIN PLATING ON SOLDER TAIL

SPECIFICATION

CURRENT RATING: 1.1 AMP MAX
 DIELECTRIC WITHSTANDING: 500V AC FOR ONE MINUTE
 CONTACT RESISTANCE: 30m OHMS MAX
 INSULATION RESISTANCE: 1000M OHMS MIN AT DC 500V
 OPERATION TEMPERATURE: -55°C~+105°C

CABLE

POS.	DIMENSIONS					
	A	B	C	D	E	F
036	34.8	25.00	12.30	7.65	6.00	8.15
064	48.8	39.00	26.30	21.65	20.00	22.15
098	65.8	56.00	43.30	38.65	37.00	39.15
164	98.8	89.00	76.30	71.65	70.00	72.15



TOLERANCES

X.±0.40	.XX±0.20
.X±0.30	.XXX±0.10

REV.	A	DRAWN BY	Zhong 2018/7/25	TITLE	PCI EXPRESS, 1.00mm PITCH, PCB MOUNT, STRADDLE MOUNT 1 KEY, WITH EAR, FEMALE
		APPROVED BY	Lion 2018/7/25	DRAW NO.	MCEER-001

UNIT	MM	Sheet	1/3
------	----	-------	-----

1

2

3

4

5

6

A

A

B

B

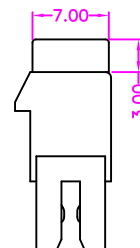
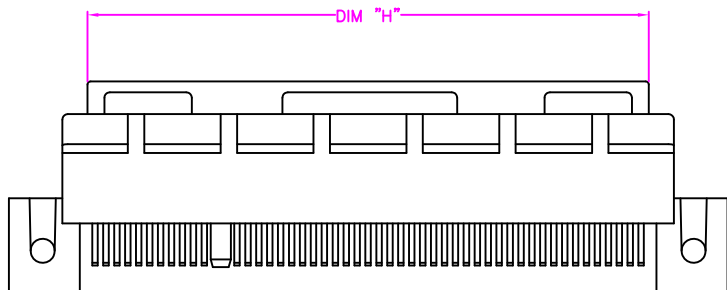
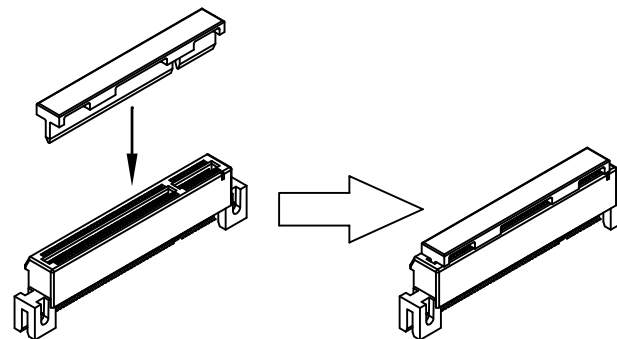
C

C

D

D

WITH CAP



DIMENSIONS	
POSITION	DIM. H
36	20.4
64	34.4
98	51.4
164	84.4

1

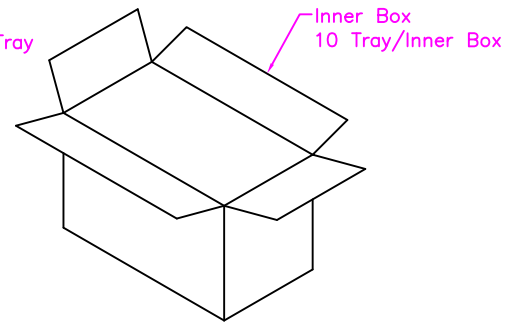
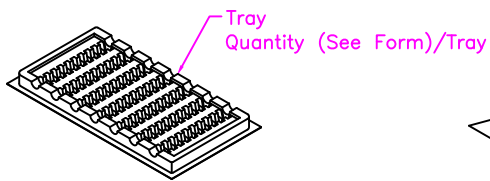
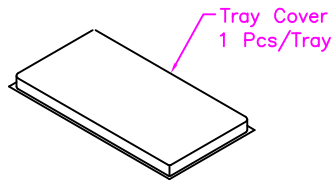
2

3

4

5

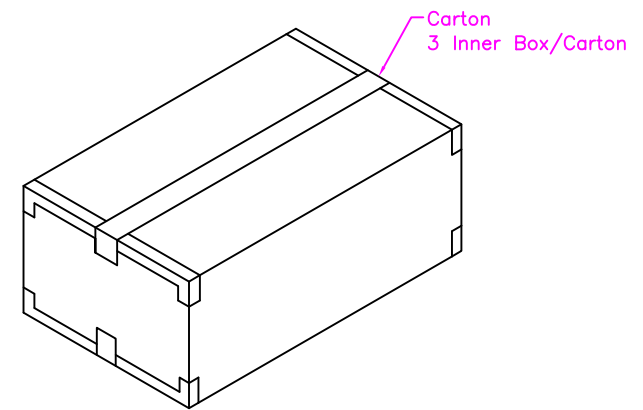
6



WITH MOUNTING EAR TYPE

NOTES:

1. Tray Cover Size: 329.5mm(L)X 170mm(W)X 20mm(H).
2. Tray Size: 328.5mm(L)X 169mm(W)X 20mm(H).
3. Inner Box Size: 340mm(L)X 187mm(W)X 210mm(H).
4. Carton Size: 576mm(L)X 350mm(W)X 232mm(H).



Shipping Carton

Form				
	36P	64P	98P	164P
Tray	70 Pcs	50 Pcs	40 Pcs	30 Pcs
Inner Box	700 Pcs	500 Pcs	400 Pcs	300 Pcs
Carton	2100 Pcs	1500 Pcs	1200 Pcs	900 Pcs
Net Weight	6.1 Kg	6.6 Kg	7.5 Kg	8.7 Kg
Gross Weight	8.1 Kg	8.6 Kg	9.5 Kg	10.7 Kg