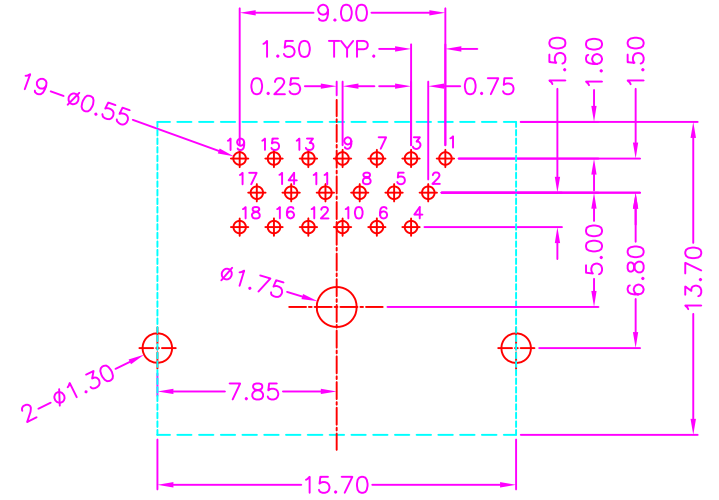
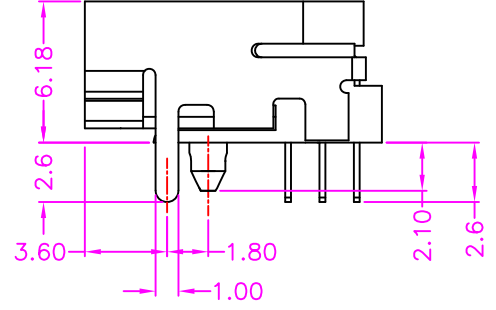
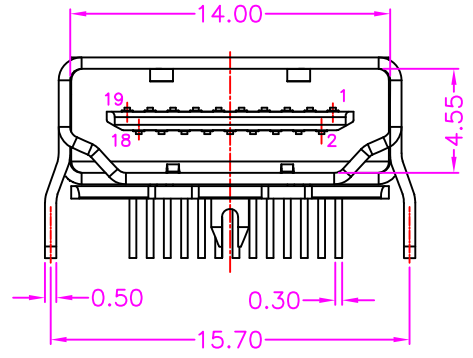
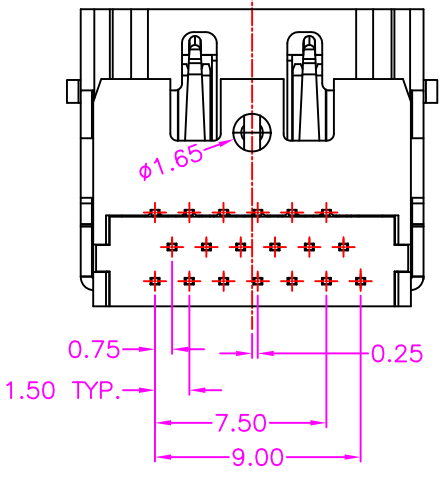


RECOMMEND PANEL CUT OUT DIM.



P.C.B. LAYOUT TOP VIEW ±0.05



**MATERIALS**

HOUSING: HI-TEMP. PLASTIC (UL 94V-0)  
 SHELL: COPPER ALLOY, NICKEL PLATING  
 TERMINAL: COPPER ALLOY, GOLD PLATED ON CONTACT AREA  
 TIN PLATING ON SOLDER TAIL

**SPECIFICATION**

CURRENT RATING: 0.5 AMP MAX  
 DIELECTRIC WITHSTANDING: 500V AC FOR ONE MINUTE  
 CONTACT RESISTANCE: 30m OHMS MAX  
 INSULATION RESISTANCE: 100M OHMS MIN AT DC 500V  
 OPERATION TEMPERATURE: -40°C~+85°C

**PART NUMBER:**

BHDCE - 1 9 \* T - 1 1 1

SERIES — NO. OF POS. — CONTACT PLATED OPTION — TIN PLATING ON SOLDER TAIL — TRAY PACKAGE

CONTACT PLATED OPTION  
 1: GOLD FLASH  
 3: 3u" GOLD  
 5: 5u" GOLD  
 7: 15u" GOLD  
 9: 30u" GOLD



TOLERANCES	
X.±0.40	.XX±0.20
.X±0.30	.XXX±0.10

REV.	A	DRAWN BY	Frank 2018/7/12	TITLE	HDMI, PCB MOUNT, R/A, METAL SHIELD WITH POST, FEMALE
		APPROVED BY	Lion 2018/7/12	DRAW NO.	BHDCE-001

UNIT	MM	Sheet	1/1
------	----	-------	-----