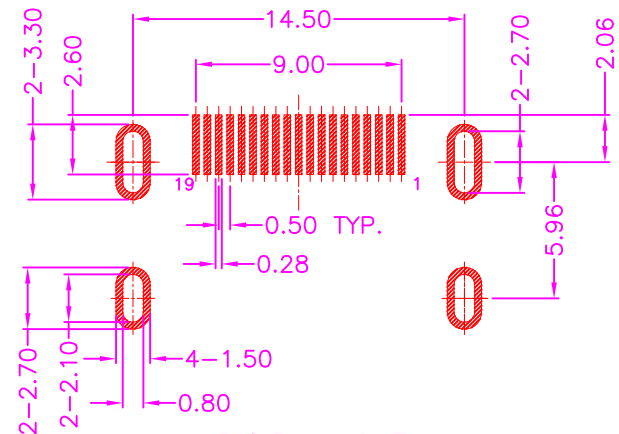
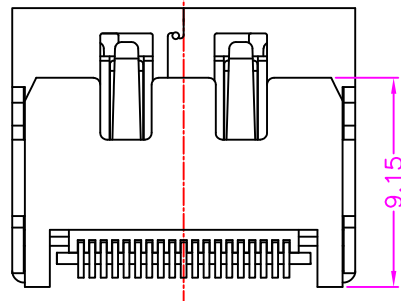
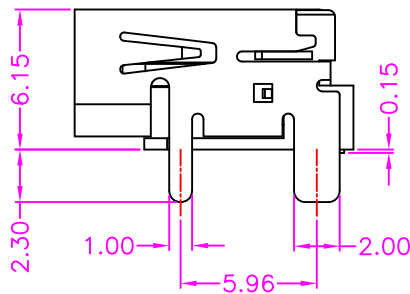
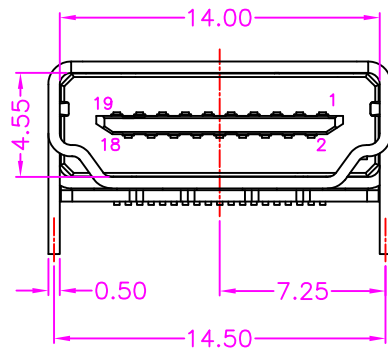
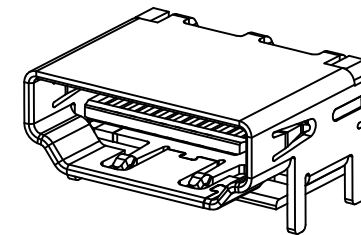


RECOMMEND PANEL CUT OUT DIM.



P.C.B. LAYOUT
TOP VIEW ±0.05



MATERIALS

HOUSING: HI-TEMP. PLASTIC (UL 94V-0)
SHELL: COPPER ALLOY, NICKEL PLATING
TERMINAL: COPPER ALLOY, GOLD PLATED ON CONTACT AREA
TIN PLATING ON SOLDER TAIL

SPECIFICATION

CURRENT RATING: 0.5 AMP MAX
DIELECTRIC WITHSTANDING: 500V AC FOR ONE MINUTE
CONTACT RESISTANCE: 30m OHMS MAX
INSULATION RESISTANCE: 100M OHMS MIN AT DC 500V
OPERATION TEMPERATURE: -40°C~+85°C

PART NUMBER:

BHDBA - 1 9 * T - 1 2 3

SERIES ——— NO. OF POS. ——— CONTACT PLATED OPTION ——— TIN PLATING ON SOLDER TAIL ——— TAPE REEL PACKAGE

1: GOLD FLASH
3: 3u" GOLD
5: 5u" GOLD
7: 15u" GOLD
9: 30u" GOLD



TOLERANCES
X.±0.40 .XX±0.20
.X±0.30 .XXX±0.10

REV. A DRAWN BY Frank 2018/7/9
APPROVED BY Lion 2018/7/9

TITLE HDMI, PCB MOUNT, SMT, METAL SHIELD, FEMALE
DRAW NO. BHDBA-003 UNIT MM Sheet 1/1