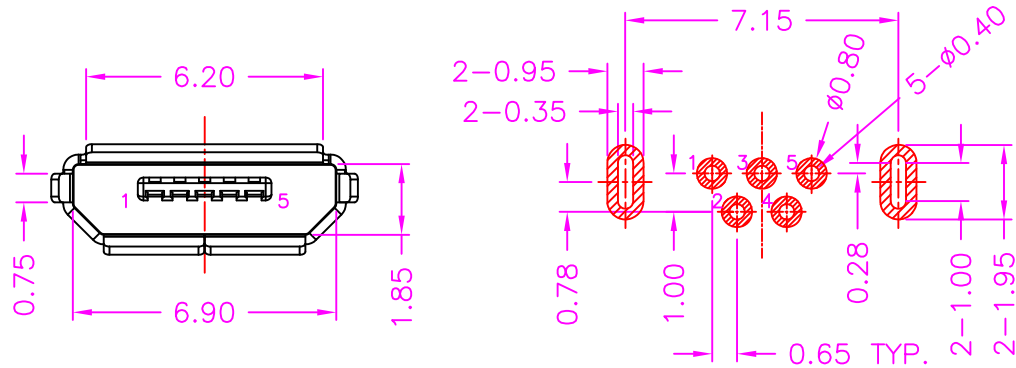


MATERIALS

HOUSING: LCP (UL 94V-0)
 SHELL: COPPER ALLOY OR STAINLESS STEEL, NICKLE PLATING
 TERMINAL: COPPER ALLOY, GOLD PLATING

SPECIFICATION

CURRENT RATING: 1.8 AMP MAX (ONLY PIN 1, 5), OTHER 1 AMP MAX
 DIELECTRIC WITHSTANDING: 250V AC FOR ONE MINUTE
 CONTACT RESISTANCE: 50m OHMS MAX
 INSULATION RESISTANCE: 100M OHMS MIN AT DC 500V
 OPERATION TEMPERATURE: -40°C~+85°C



P.C.B LAYOUT
 TOP VIEW ±0.05

PART NUMBER:

BUSTH - 0 5 * * * - 1 * 4

SERIES

NO. OF POS.

CONTACT PLATED OPTION

- 1: GOLD FLASH
- 3: 3u" GOLD
- 5: 5u" GOLD
- 6: 10u" GOLD
- 7: 15u" GOLD
- 9: 30u" GOLD

PACKAGE OPTION
 1: TRAY
 2: TAPE REEL

SHELL OPTION
 BLANK: COPPER ALLOY
 S: STAINLESS STEEL

SOLDER TAIL PLATING OPTION
 BLANK: GOLD FLASH
 T: TIN PLATING

CONTACT NUMBER	SIGNAL NAME
PIN 1	VCC
PIN 2	D-
PIN 3	D+
PIN 4	ID
PIN 5	GND



TOLERANCES

X.±0.40	.XX±0.20
.X±0.30	.XXX±0.10

REV.	A	DRAWN BY	Zhong 2018/5/15	TITLE	MICRO USB B TYPE, VERTICAL TYPE, METAL SHIELD FEMALE				
		APPROVED BY	Lion 2018/5/15	DRAW NO.	BUSTH-004	UNIT	MM	Sheet	1/1