

A

B

C

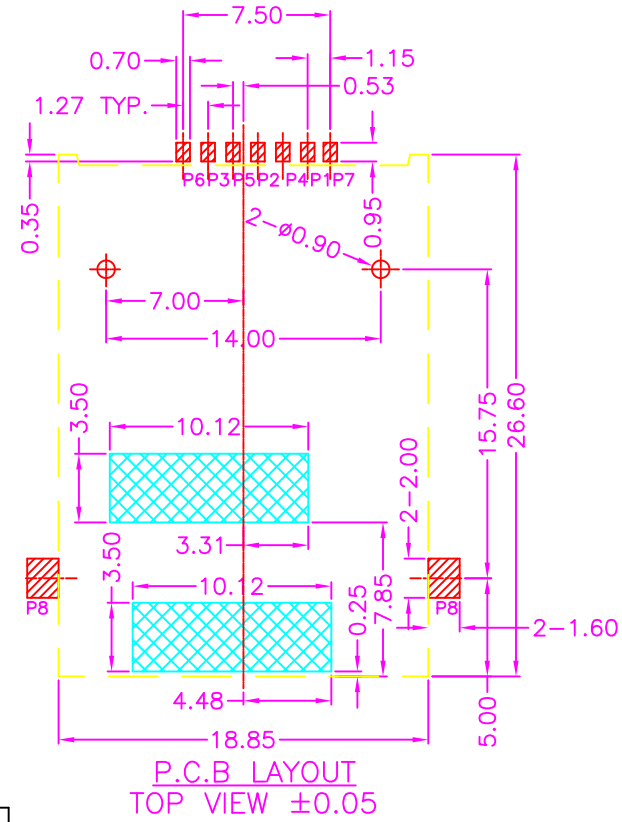
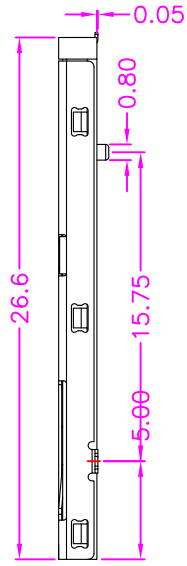
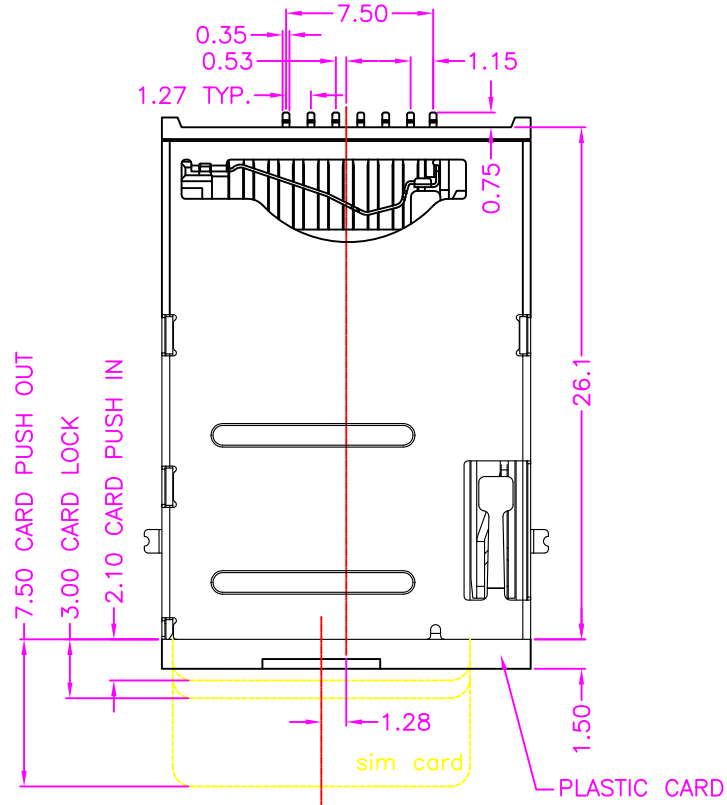
D

A

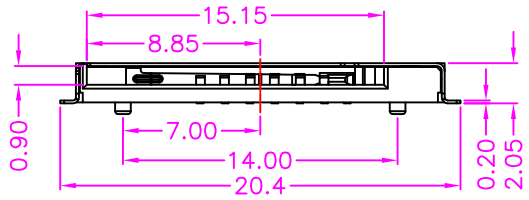
B

C

D



PAD AREA  
 KEEP AREA  
 KEEP OUT AREA



Connector terminal NO.	Pin NO.
Pin 1	VCC:PWR signal and GND
Pin 2	RST:Reset signal
Pin 3	CLK:Clocking signal
Pin 4	GND:PWR signal and GND
Pin 5	VPP:Programming Voltage
Pin 6	I/O:Serial date input/output
Pin 7	CD:CARD Detect Switch
Pin 8	GND

**MATERIALS**

HOUSING: HI-TEMP. PLASTIC (UL 94V-0)  
SHELL: COPPER ALLOY, NICKEL PLATING  
TERMINAL: COPPER ALLOY, GOLD PLATED

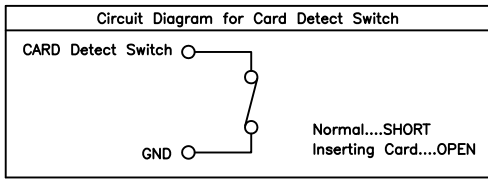
**SPECIFICATION**

CURRENT RATING: 0.5 AMP MAX  
DIELECTRIC WITHSTANDING: 500V AC FOR ONE MINUTE  
CONTACT RESISTANCE: 100m OHMS MAX  
INSULATION RESISTANCE: 1000M OHMS MIN AT DC 500V  
OPERATION TEMPERATURE: -40°C~+85°C

PART NUMBER:  
MMCPD - 0 7 \* T - 1 2 3

SERIES  
NO. OF POS.  
CONTACT PLATED OPTION  
1: GOLD FLASH  
3: 3u" GOLD  
5: 5u" GOLD  
6: 10u" GOLD

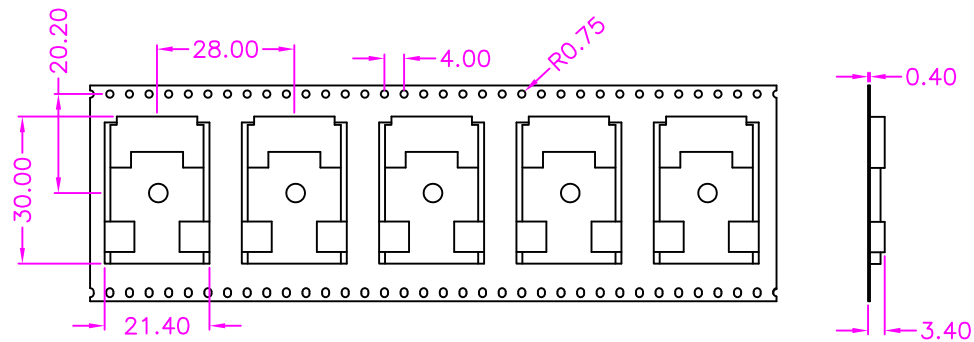
TIN PLATING ON SOLDER TAIL  
TAPE REEL PACKAGE



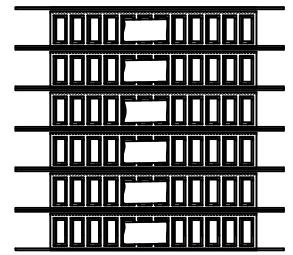
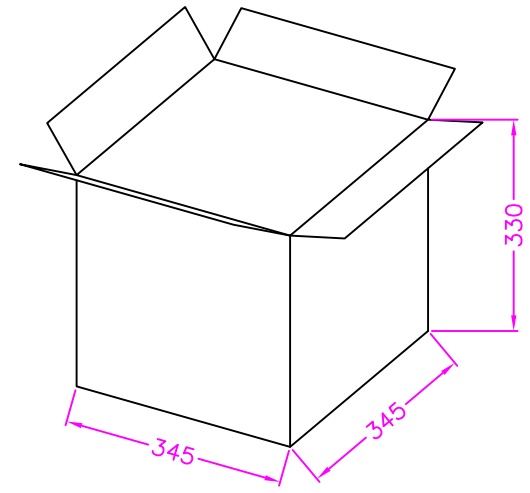
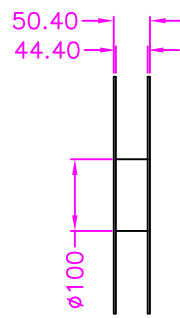
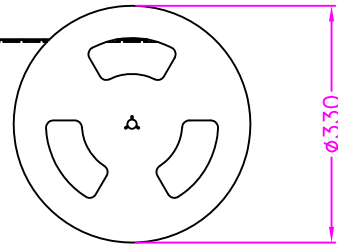
TOLERANCES

X.±0.40	.XX±0.20
.X±0.30	.XXX±0.10

REV.	A	DRAWN BY	Zhong 2018/4/13	TITLE	SIM CARD, 6PIN, PCB MOUNT, SMT, METAL SHIELD, PUSH-PUSH TYPE, FEMALE				
		APPROVED BY	Lion 2018/4/13	DRAW NO.	MMCPD-003	UNIT	MM	Sheet	1/2



pull out direction



NOTE: 500PCS/ REEL, 3000PCS/ 6 REEL/ CARTON