

MATERIALS

SFP CONNECTOR
 HOUSING: LCP (UL 94V-0), BLACK
 TERMINAL: COPPER ALLOY, GOLD PLATED ON CONTACT AREA
 TIN PLATING ON SOLDER TAIL

SFP CAGE
 TOP SHIELD: COPPER ALLOY
 MIDDLE SHIELD: COPPER ALLOY
 BOTTOM SHIELD: COPPER ALLOY
 BACK SHIELD: COPPER ALLOY

LIGHT PIPE: PC

PART NUMBER:

F21BM - 0 * C - 1 * 1

SERIES

CONNECTOR TERMINAL PLATING OPTION

- 1: GOLD FLASH
- 3: 3u" GOLD
- 7: 15u" GOLD
- 9: 30u" GOLD

LIGHT PIPES OPTION

- 1: WITH INNER & OUTER LIGHT PIPES
- 2: WITH OUTER LIGHT PIPES
- 3: WITH INNER LIGHT PIPES

TRAY PACKAGE



TOLERANCES	
X.±0.40	.XX±0.20
.X±0.30	.XXX±0.10

REV.	A	DRAWN BY	Zhong 2018/1/30	TITLE	STACKED SFP+ 2x1 CAGE, R/A, METAL SHIELD PRESS FIT TYPE WITH CONNECTOR & LIGHT PIPE				
		APPROVED BY	Lion 2018/1/30	DRAW NO.	F21BM-001	UNIT	MM	Sheet	1/5

1

2

3

4

5

6

A

A

B

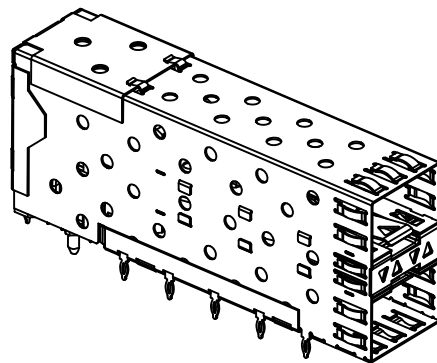
B

C

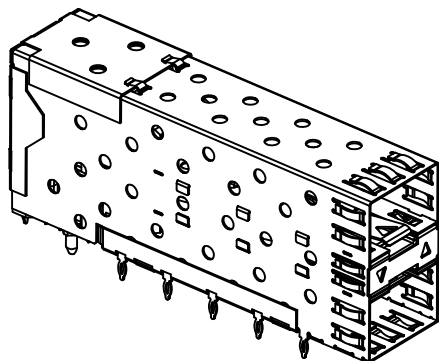
C

D

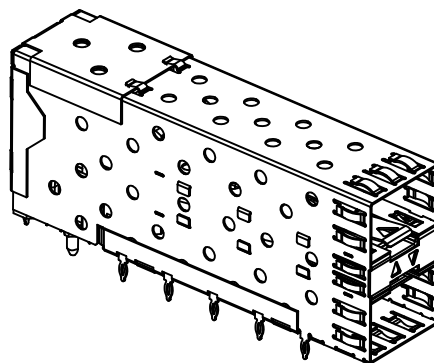
D



F21BM-0*C-111
WITH INNER & OUTER LIGHT PIPES



F21BM-0*C-121
WITH OUTER LIGHT PIPES



F21BM-0*C-131
WITH INNER LIGHT PIPES

1

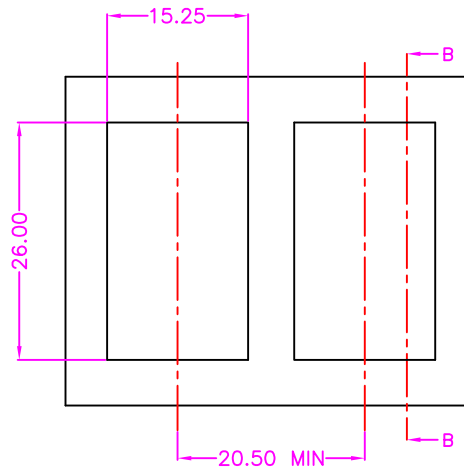
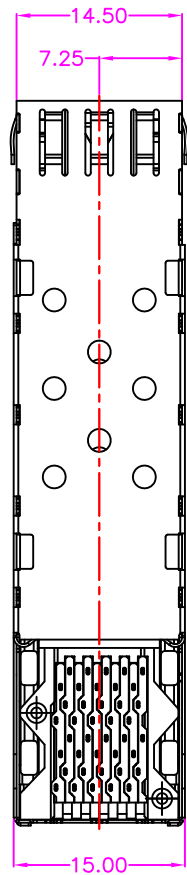
2

3

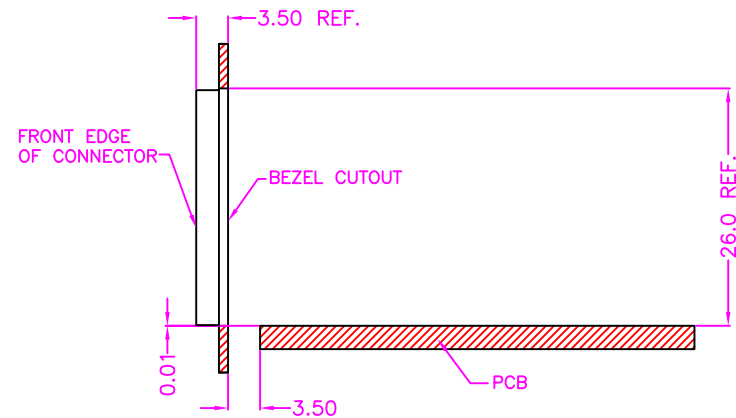
4

5

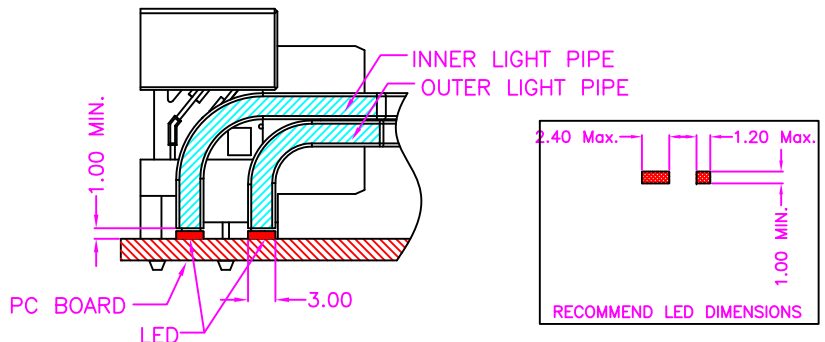
6



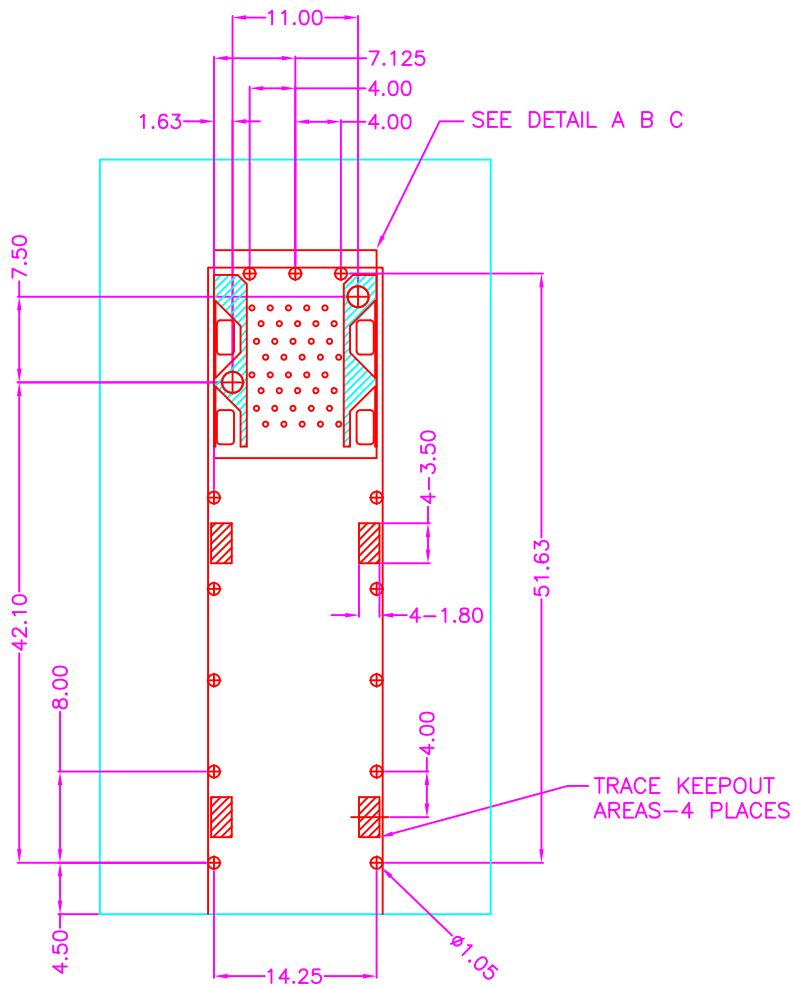
RECOMMENDED PANEL CUTOUT AND PC BOARD
 PANEL POSITION AND THICKNESS 0.8-2.6



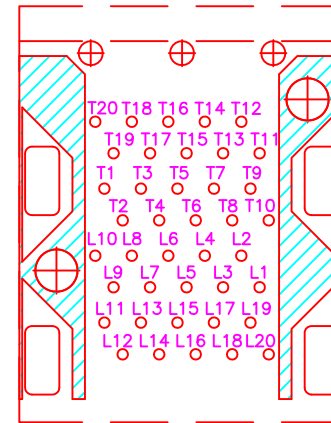
SECTION B-B
 BEZEL OPENING ABOVE
 TOP OF PC BOARD



LED CLEARANCE REQUIREMENTS



P.C.B. LAYOUT
TOP VIEW ± 0.05



DETAIL A
SCALE 2:1

1

2

3

4

5

6

A

A

B

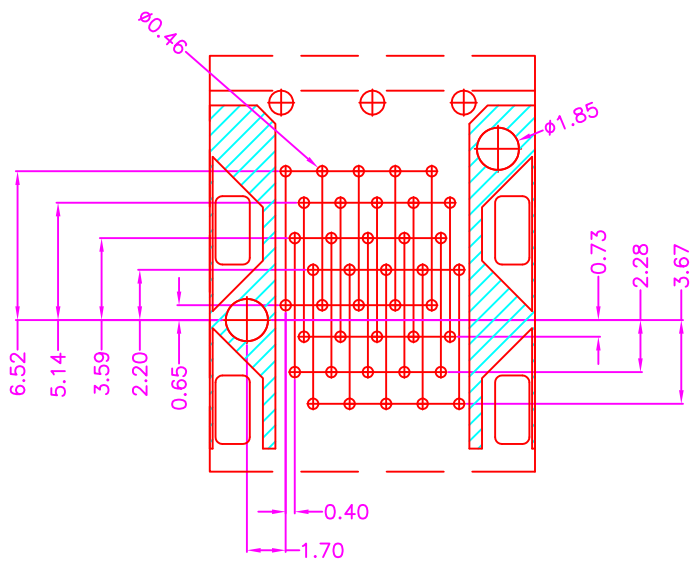
B

C

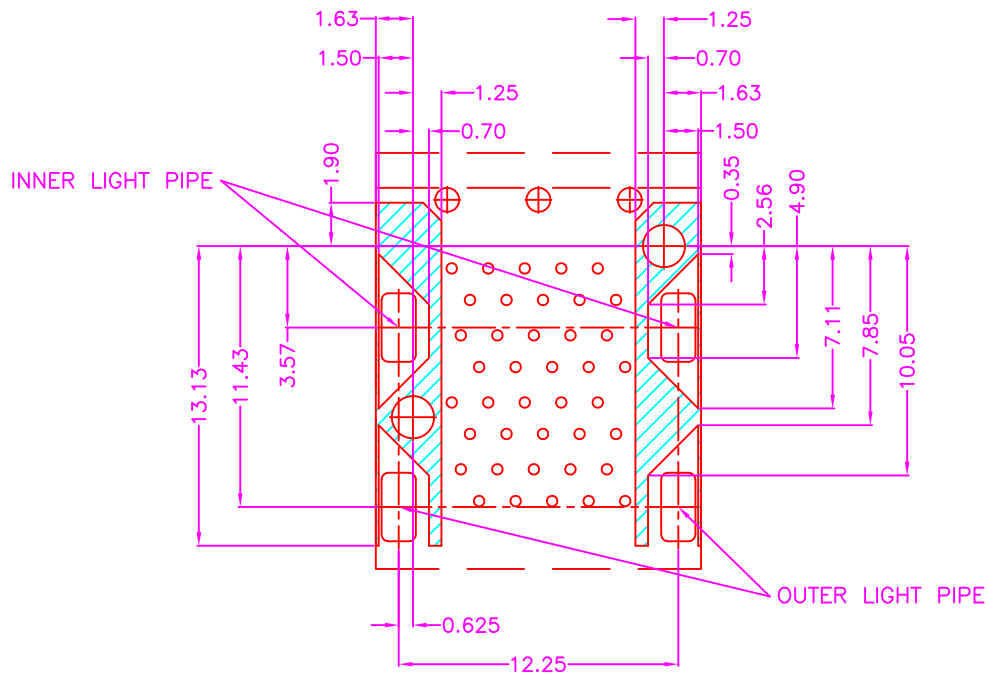
C

D

D



DETAIL B
SCALE 2:1



DETAIL C
SCALE 2:1



TOLERANCES	
X.±0.40	.XX±0.20
.X±0.30	.XXX±0.10

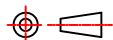
REV.

A

DRAWN BY Zhong 2018/1/30

TITLE

STACKED SFP+ 2x1 CAGE, R/A, METAL SHIELD PRESS FIT TYPE WITH CONNECTOR & LIGHT PIPE



APPROVED BY Lion 2018/1/30

DRAW NO.

F21BM-001

UNIT

MM

Sheet

5/5

1

2

3

4

5

6

C0136