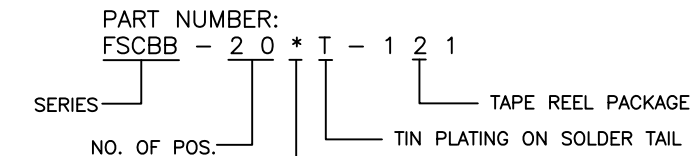


### MATERIALS

HOUSING: HI-TEMP. PLASTIC (UL 94V-0), BLACK  
 TERMINAL: COPPER ALLOY, GOLD PLATED ON CONTACT AREA  
 TIN PLATING ON SOLDER TAIL

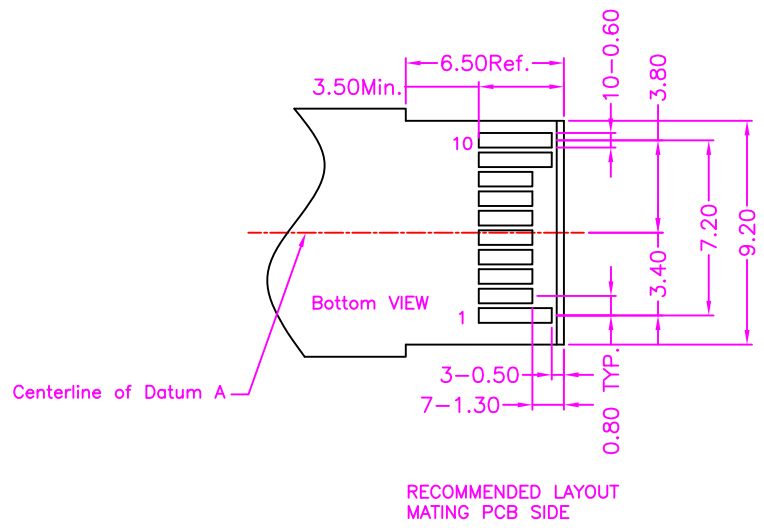
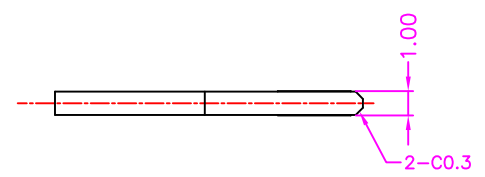
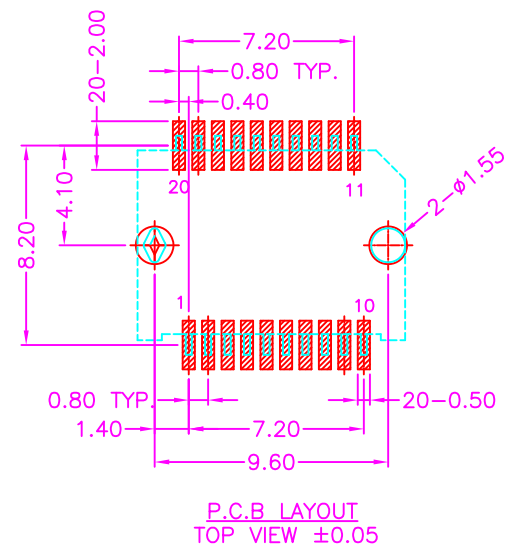
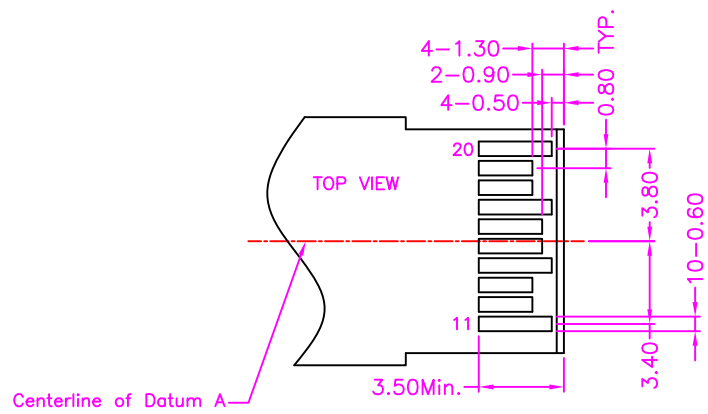
### SPECIFICATION

CURRENT RATING: 1.0 AMP MAX  
 DIELECTRIC WITHSTANDING: 300V AC FOR ONE MINUTE  
 CONTACT RESISTANCE: 40m OHMS MAX  
 INSULATION RESISTANCE: 1000M OHMS MIN AT DC 500V  
 OPERATION TEMPERATURE: -40°C~+85°C



#### CONTACT PLATED OPTION

- 1: GOLD FLASH
- 3: 3u" GOLD
- 5: 5u" GOLD
- 6: 10u" GOLD
- 7: 15u" GOLD
- 9: 30u" GOLD



1

2

3

4

5

6

A

A

B

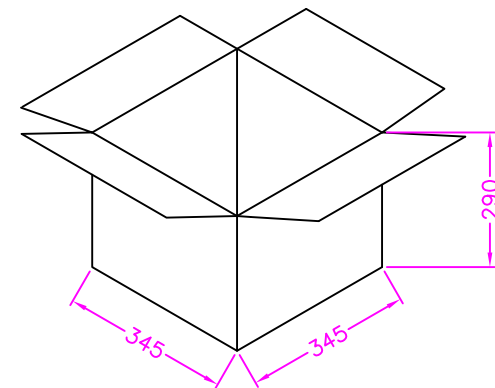
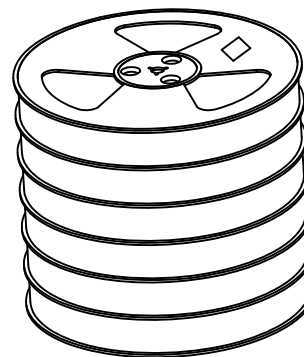
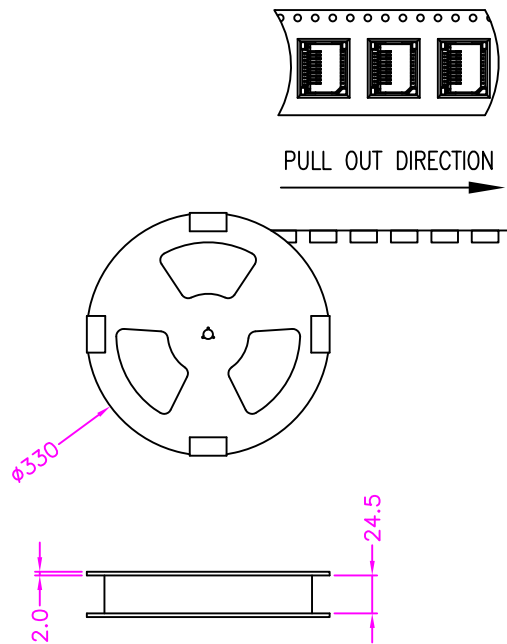
B

C

C

D

D



NOTE: 600PCS/ REEL, 6000PCS/ 10 REEL/ CARTON

1

2

3

4

5

6