

**MATERIALS**

HOUSING: HI-TEMP. PLASTIC (UL 94V-0), BLACK  
 SHELL: STAINLESS STEEL, NICKEL PLATING  
 PAD: STAINLESS STEEL, GOLD FLASH  
 SWITCH: COPPER ALLOY, GOLD PLATING  
 TERMINAL: COPPER ALLOY, GOLD PLATED ON CONTACT AREA  
 TIN PLATING ON SOLDER TAIL

**SPECIFICATION**

CURRENT RATING: 0.5 AMP MAX  
 DIELECTRIC WITHSTANDING: 500V AC FOR ONE MINUTE  
 CONTACT RESISTANCE: 60m OHMS MAX  
 INSULATION RESISTANCE: 1000M OHMS MIN AT DC 500V  
 OPERATION TEMPERATURE: -25°C~+85°C

**PART NUMBER:**

MMCFD - 1 1 \* T - 1 2 2

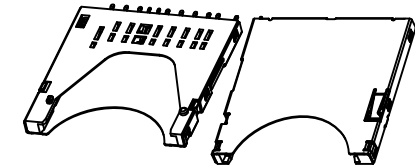
SERIES  
 NO. OF POS.  
 CONTACT PLATED OPTION  
 TAPE REEL PACKAGE  
 TIN PLATING ON SOLDER TAIL

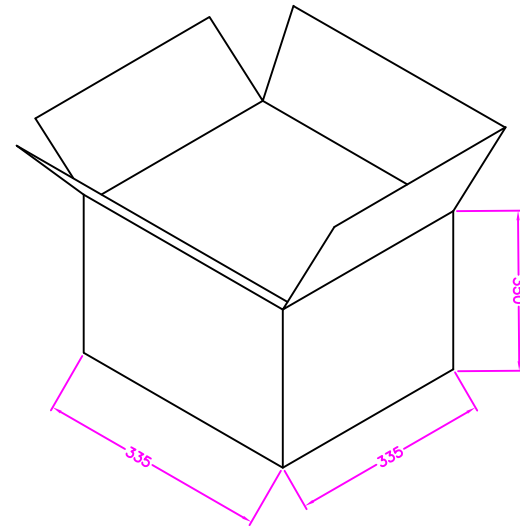
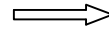
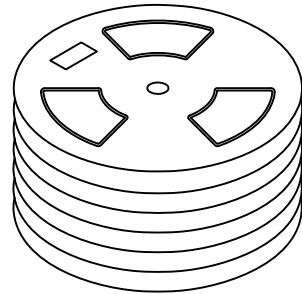
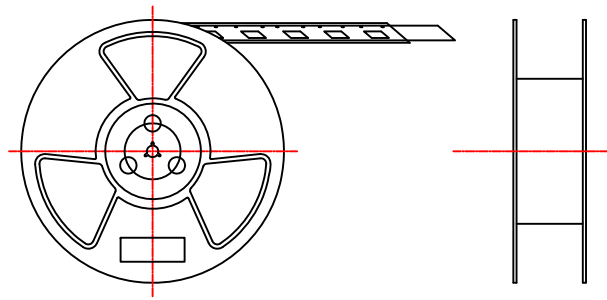
**CONTACT PLATED OPTION**

- 1: GOLD FLASH
- 3: 3u" GOLD
- 5: 5u" GOLD
- 6: 10u" GOLD
- 7: 15u" GOLD
- 9: 30u" GOLD

Pin No.	SD	MMC
P1	MMC-DAT3 SD-CD/DAT3	1P 1P
P2	MMC-CMD SD-CMD	2P 2P
P3	MMC-VSS1 SD-VSS1	3P 3P
P4	MMC-VDD SD-VDD	4P 4P
P5	MMC-CLK SD-CLK	5P 5P
P6	MMC-VSS2 SD-VSS2	6P 6P
P7	MMC-DAT0 SD-DAT0	7P 7P
P8	SD-DAT1	8P
P9	SD-DAT2	9P

CIRCUIT:		
WP	GROUND	WP GROUND
CD	#3	CD #3
WITHOUT CARD		
WP	GROUND	WP GROUND
CD	#3	CD #3
CARD INSERTED WRITE PROTECT : LOCK		
WP	GROUND	WP GROUND
CD	#3	CD #3
CARD INSERTED WRITE PROTECT : UNLOCK		





NOTE: 450PCS/REEL, 2700PCS/ 6REEL/ CARTON