

**MATERIALS**

HOUSING: LCP (UL 94V-0), BLACK  
 SHELL: STAINLESS STEEL  
 TERMINAL: COPPER ALLOY, GOLD PLATED

**SPECIFICATION**

CURRENT RATING: 1.8 AMP MAX (ONLY PIN 1, 5), OTHER 1 AMP MAX  
 DIELECTRIC WITHSTANDING: 100V AC FOR ONE MINUTE  
 CONTACT RESISTANCE: 30m OHMS MAX  
 INSULATION RESISTANCE: 100M OHMS MIN AT DC 500V  
 OPERATION TEMPERATURE: -25°C~+105°C

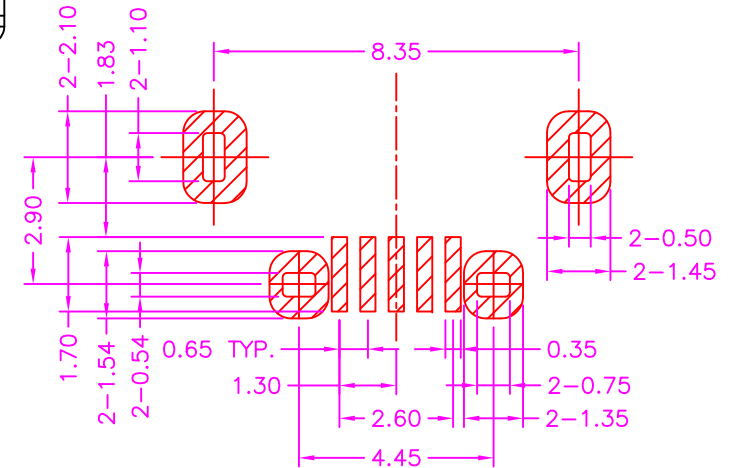
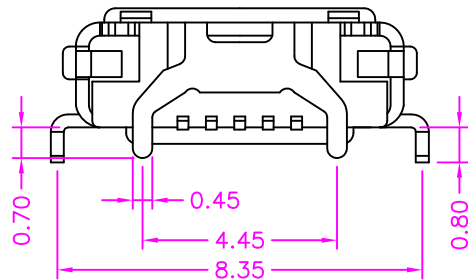
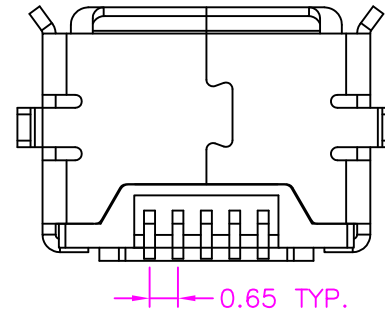
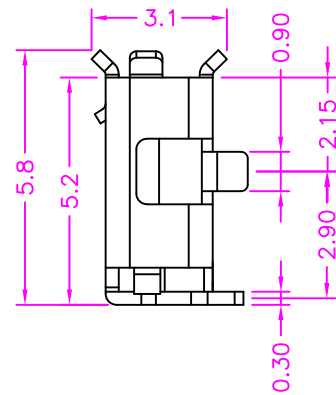
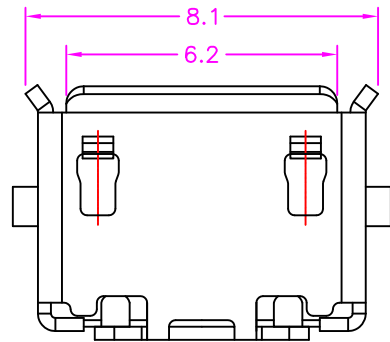
PART NUMBER:

BUSUA - 0 5 \* - 1 2 1

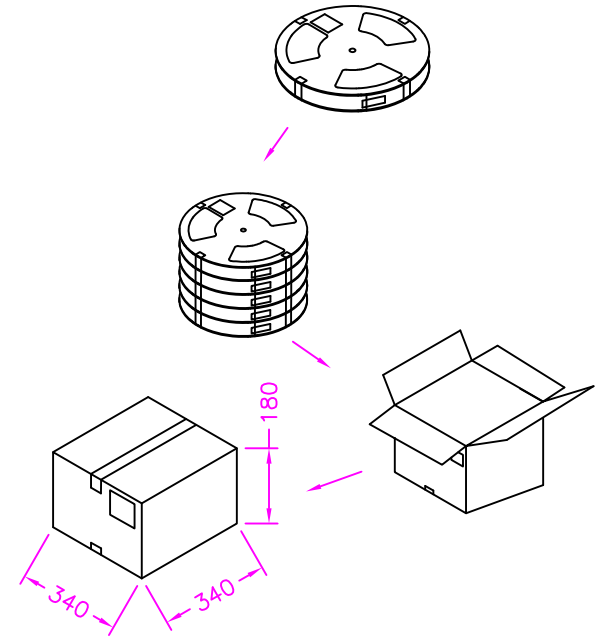
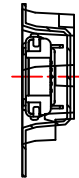
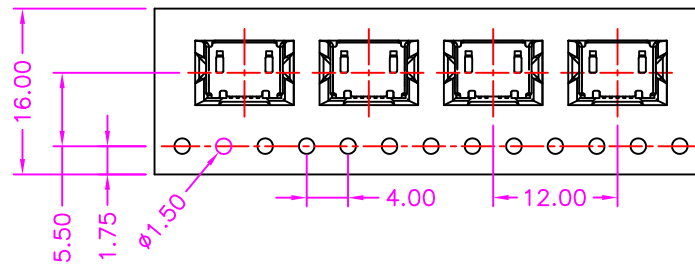
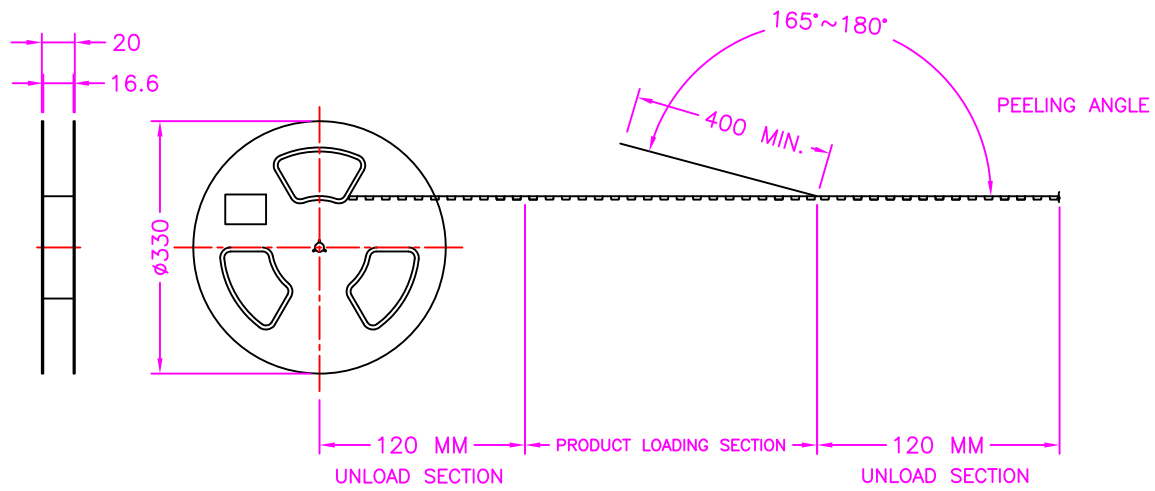
SERIES — NO. OF POS. — TAPE REEL PACKAGE

CONTACT PLATED OPTION

- 1: GOLD FLASH
- 3: 3u" GOLD
- 5: 5u" GOLD
- 7: 15u" GOLD
- 9: 30u" GOLD



P.C.B LAYOUT  
 TOP VIEW ±0.05



NOTE: 1500PCS/REEL, 12000PCS/8 REEL/CARTON