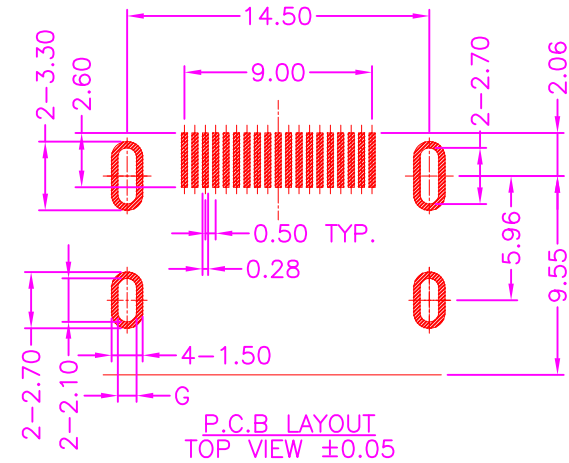
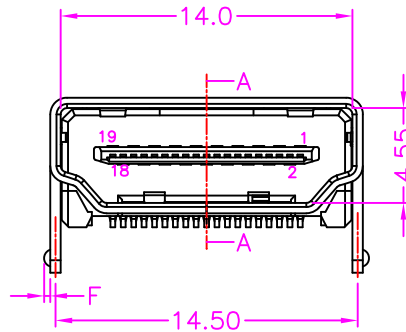
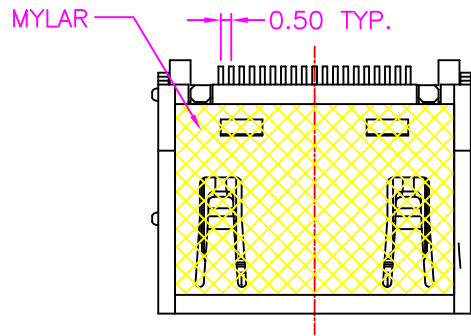


SECTION A-A



P.C.B. LAYOUT
TOP VIEW ±0.05

PIN ASSIGNMENT

PIN	Signal Assignment
1	TMDS Data2+
2	TMDS Data2 Shield
3	TMDS Data2-
4	TMDS Data1+
5	TMDS Data1 Shield
6	TMDS Data1-
7	TMDS Data0+
8	TMDS Data0 Shield
9	TMDS Data0-
10	TMDS Clock+
11	TMDS Clock Shield
12	TMDS Clock-
13	CEC
14	Reserved (N.C. on device)
15	SCL
16	SDA
17	DDC/CEC Ground
18	+5V Power
19	Hot Plug Detect

MATERIALS

HOUSING: HI-TEMP. PLASTIC (UL 94V-0)
 SHELL: COPPER ALLOY OR SPCC, NICKEL PLATING
 TERMINAL: COPPER ALLOY, GOLD PLATED ON CONTACT AREA
 TIN PLATING ON SOLDER TAIL

SPECIFICATION

CURRENT RATING: 0.5 AMP MAX
 DIELECTRIC WITHSTANDING: 500V AC FOR ONE MINUTE
 CONTACT RESISTANCE: 30m OHMS MAX
 INSULATION RESISTANCE: 100M OHMS MIN AT DC 500V
 OPERATION TEMPERATURE: -20°C~+85°C

PART NUMBER:
 BHDDBA - 1 9 * T * - 1 2 1 * * *

SERIES: BHDDBA
 NO. OF POS.: 1 9
 CONTACT PLATED OPTION: * T *
 1: GOLD FLASH
 3: 3u" GOLD
 5: 5u" GOLD
 7: 15u" GOLD
 9: 30u" GOLD
 TIN PLATING ON SOLDER TAIL: - 1 2 1 * * *

SHELL OPTION:
 BLANK: COPPER ALLOY
 S: SPCC

MYLAR OPTION
 BLANK: WITHOUT MYLAR
 M: WITH MYLAR

"F & G" LENGTH OPTION
 REF TABLE 2

"A & B" LENGTH OPTION
 REF TABLE 1

TAPE REEL PACKAGE

TABLE 1

ITEM	DIM A	DIM B
1	1.80	1.20
2	2.20	1.20
3	1.80	1.00
4	2.20	1.00

TABLE 2

ITEM	DIM. F	DIM. G
1	NON	0.90
2	0.15	0.90
3	0.30	1.10



TOLERANCES
 X.±0.40 .XX±0.20
 .X±0.30 .XXX±0.10

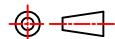
REV.

A

DRAWN BY Zhong 2018/1/3

TITLE

HDMI, PCB MOUNT, SMT, METAL SHIELD, FEMALE



APPROVED BY Lion 2017/1/3

DRAW NO.

BHDDBA-001

UNIT

MM

Sheet

1/2

1

2

3

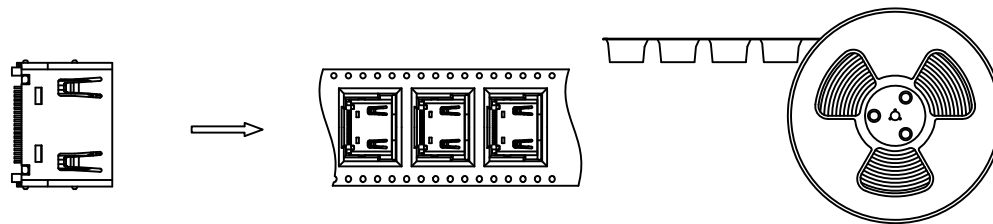
4

5

6

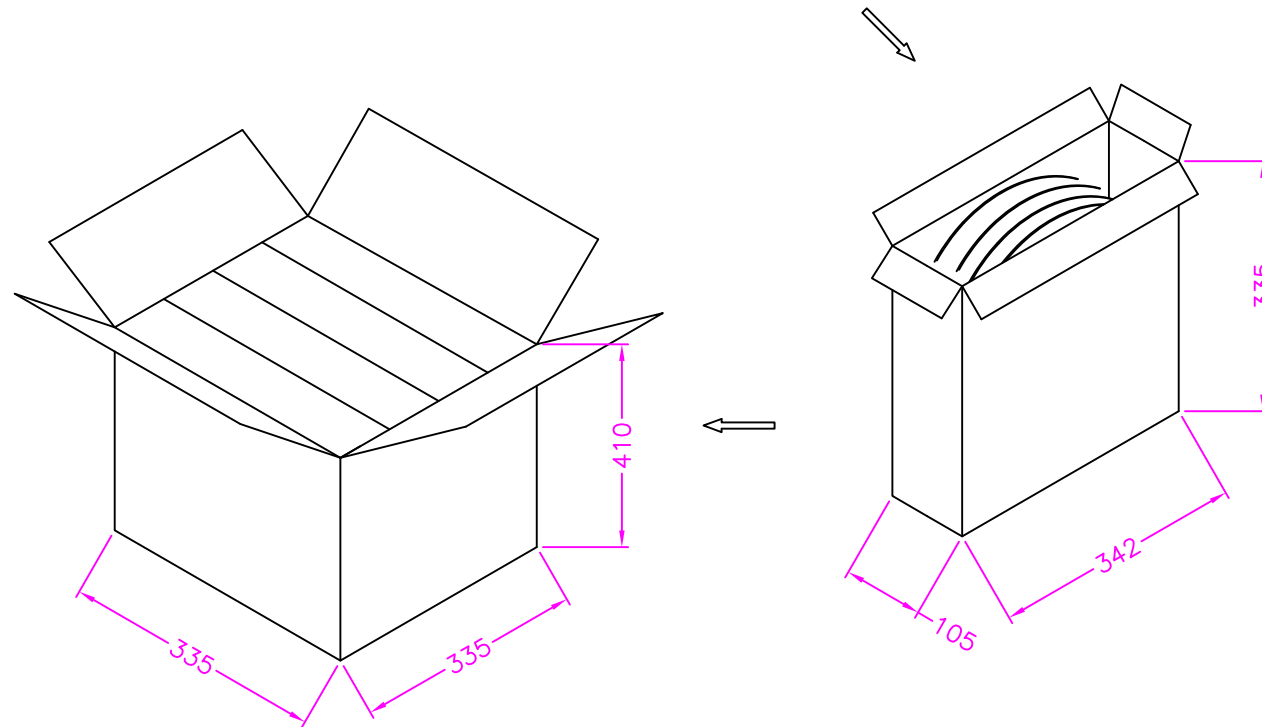
A

A



B

B



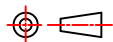
C

C

NOTE: 350PCS/ REEL, 700PCS/ 2 REEL/ INNER BOX
3500PCS/ 10 REEL/ CARTON

D

D



1

2

3

4

5

6